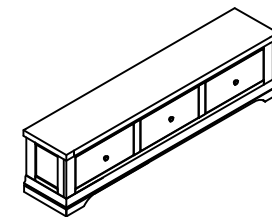
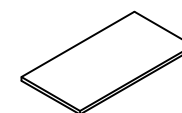


A : Carcase x 01



B : The base x 01



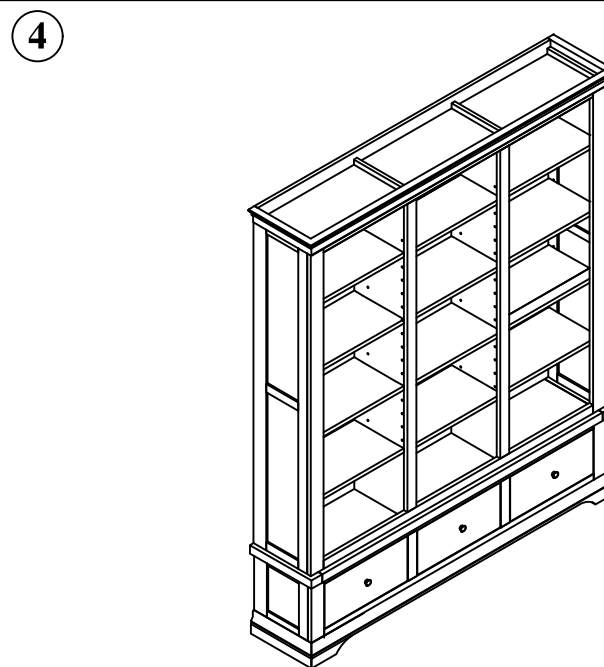
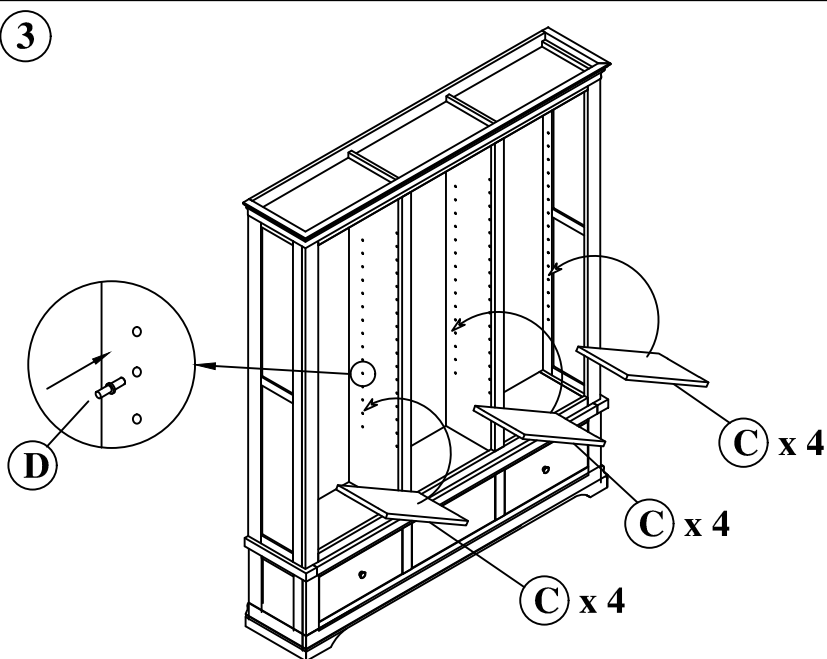
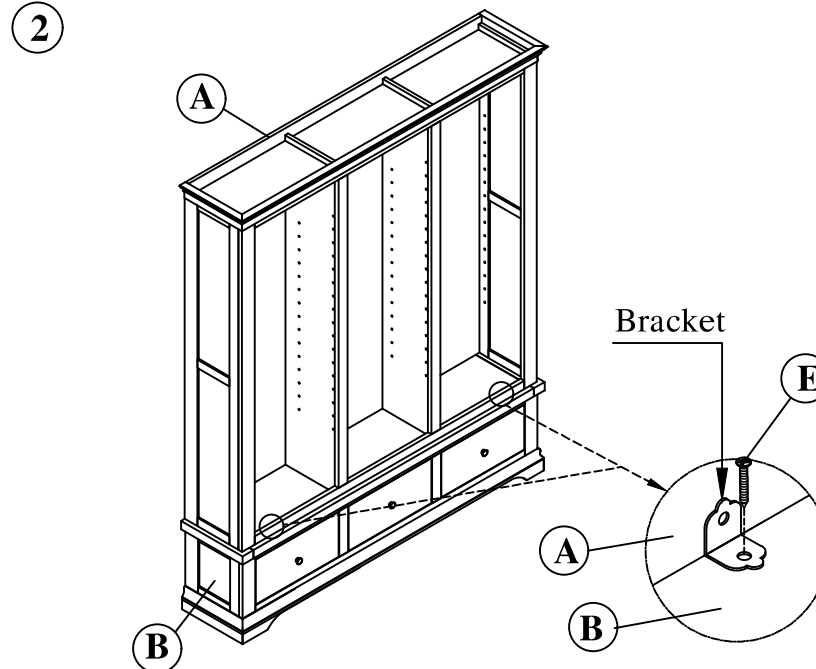
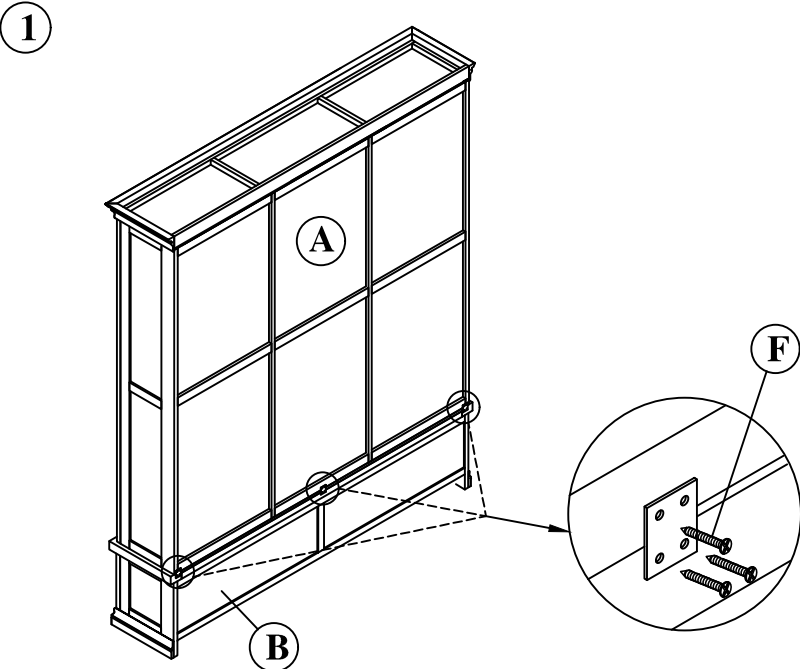
C : Shelf x 12



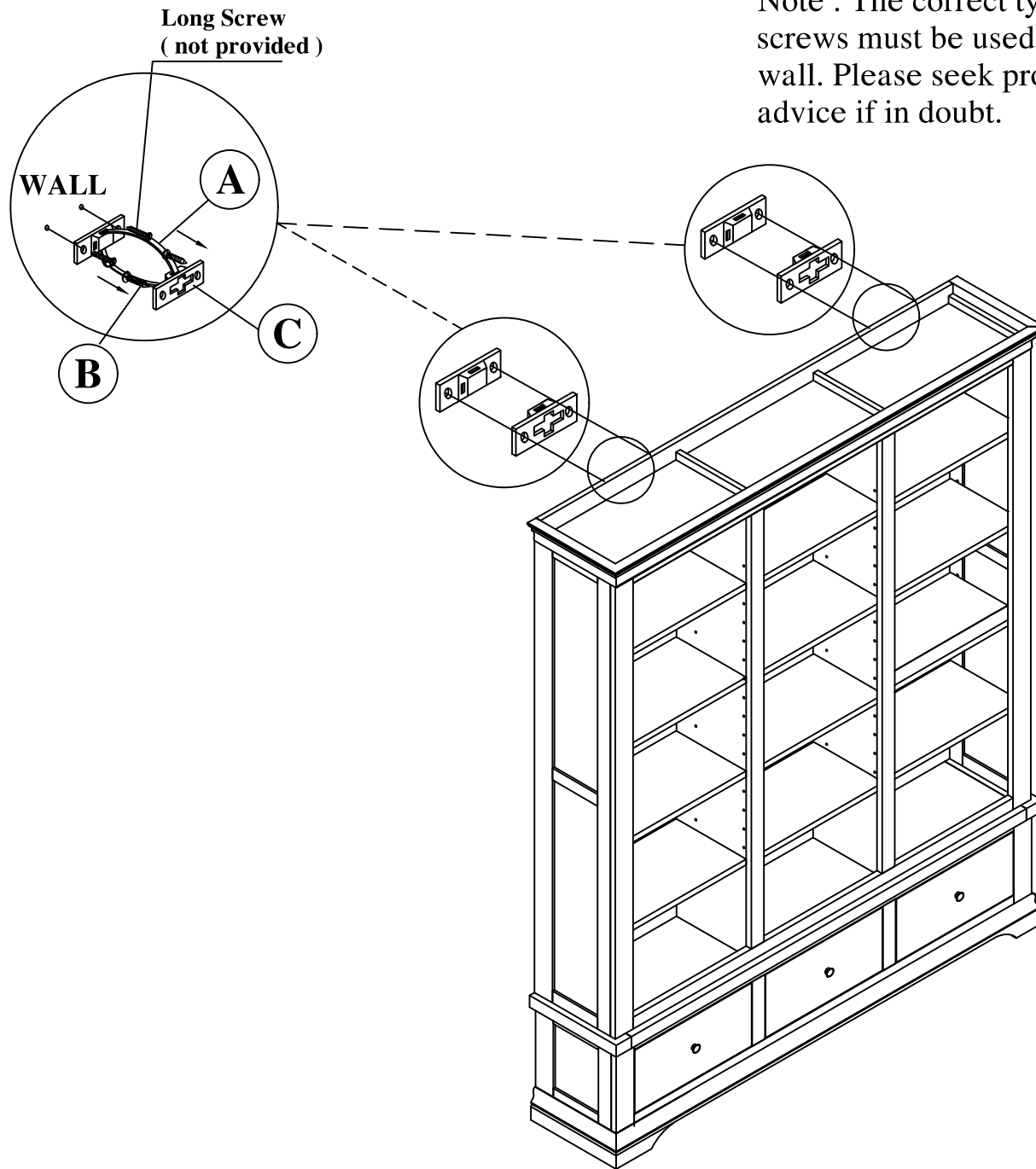
D : Shelf Pin x 48



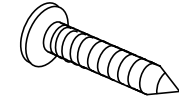
E : Screw 15 mm x 11



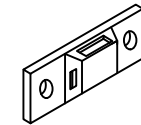
Note : The correct type of wall screws must be used for your wall. Please seek professional advice if in doubt.



A : Wall Strap x 02



B : Screw 20 mm x 04



C : Mouting plate x 04