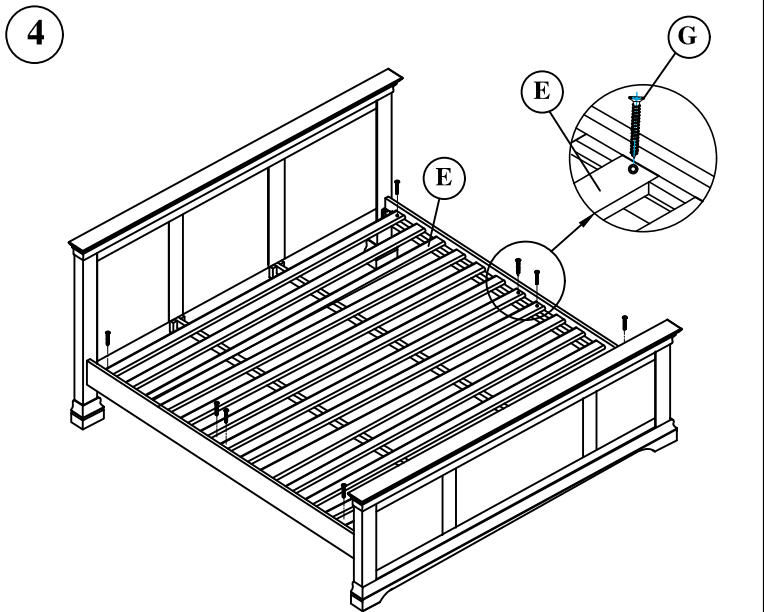
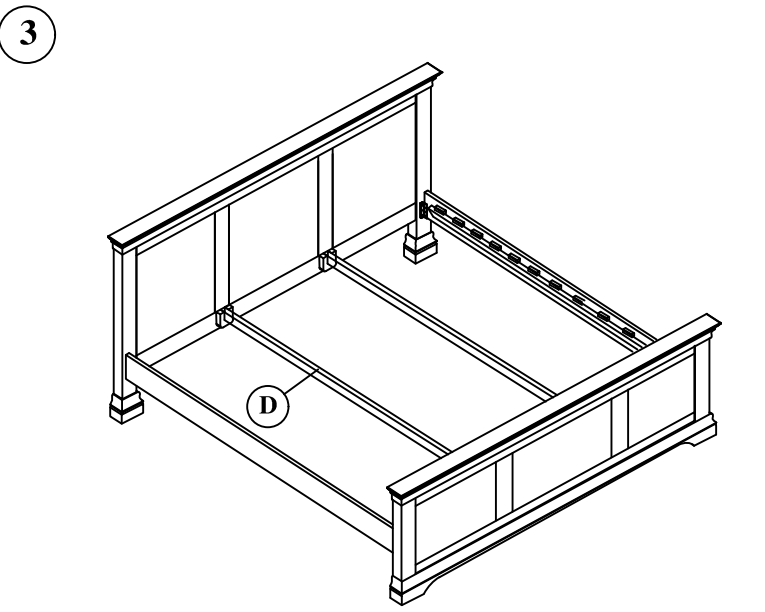
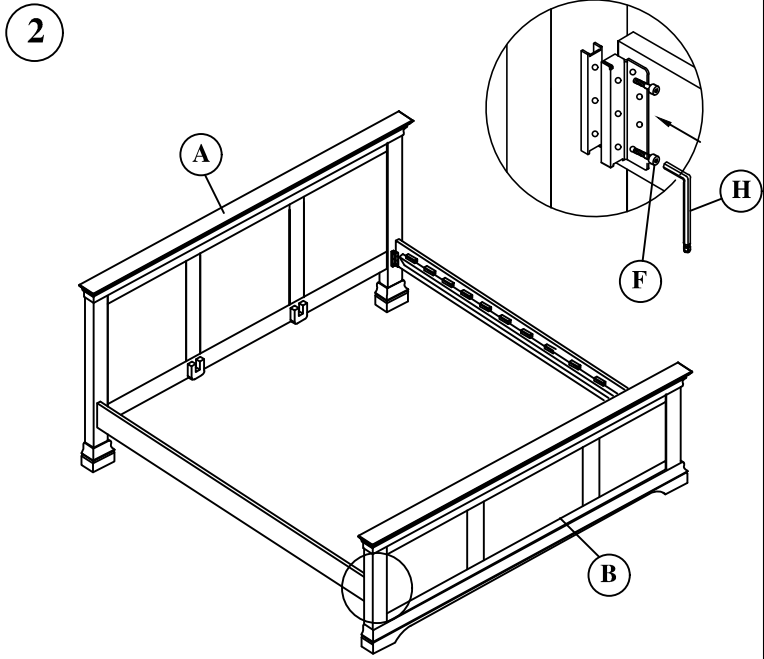
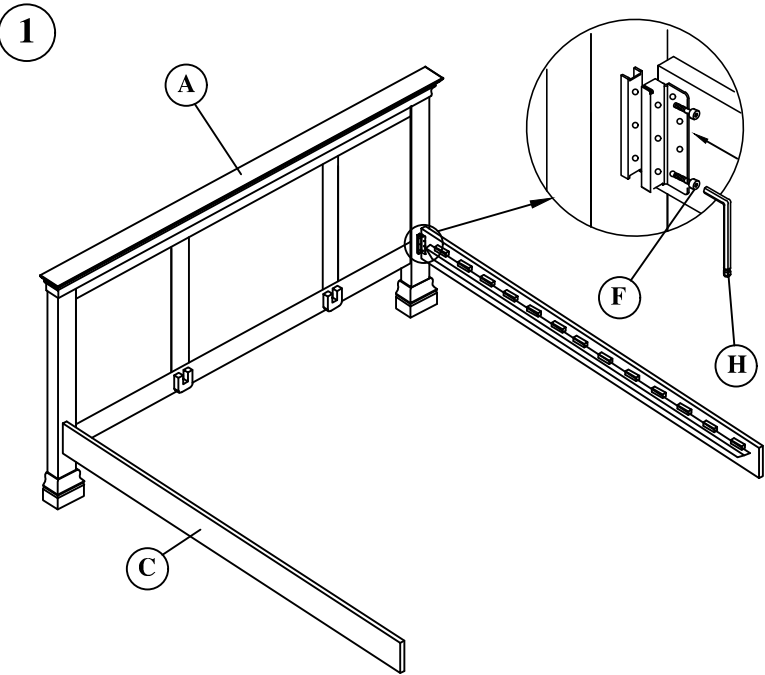
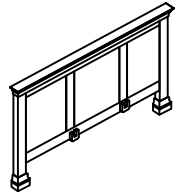
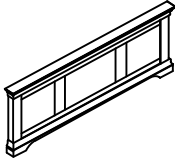



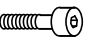




Assembly Instruction - 6' BED

FBO - SKS01 / FMT

Part List



A		Head Board	1 PC
B		Foot Board	1 PC
C		Side Rail	2 PCS
D		Metal Rail	2 PC
E		Slats	14 PCS
F		Bolts	8 PCS
G		Screw 30 mm	8 PCS
H		Allen key	2 PCS