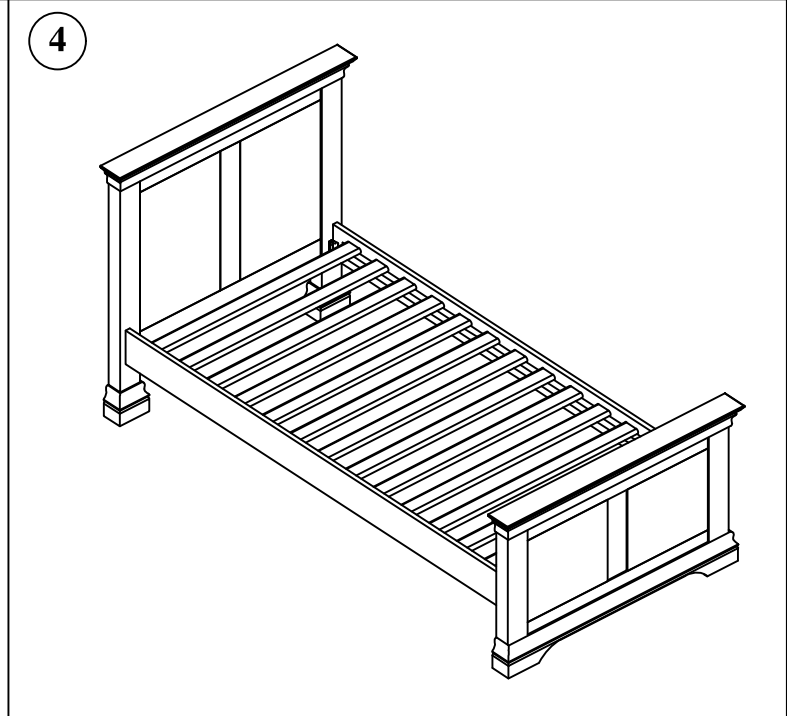
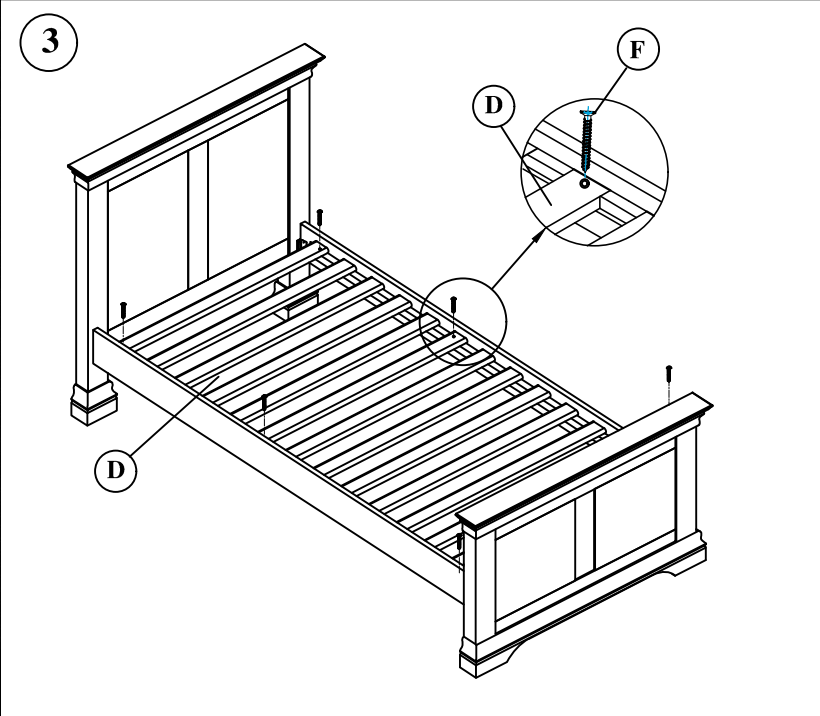
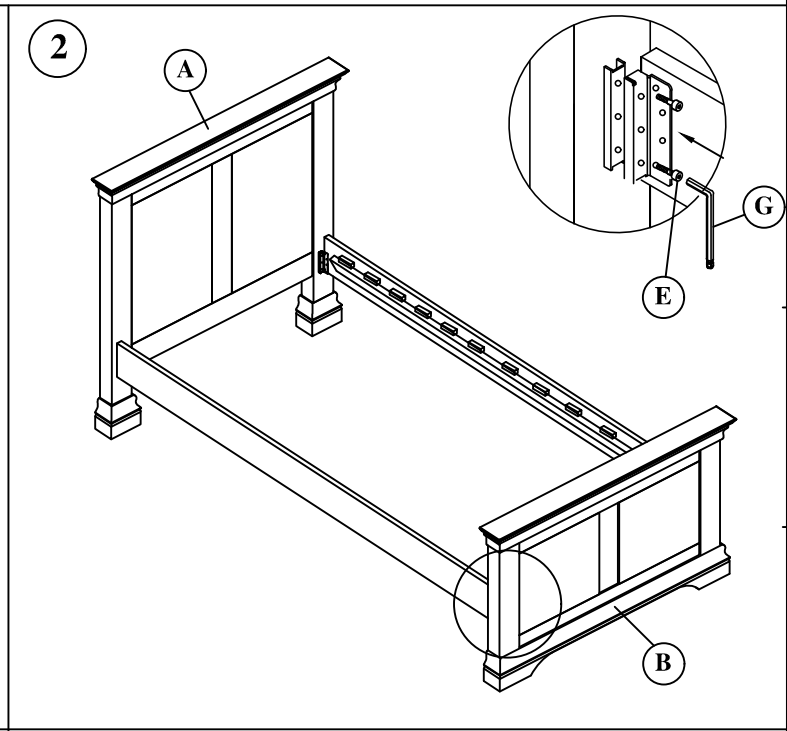
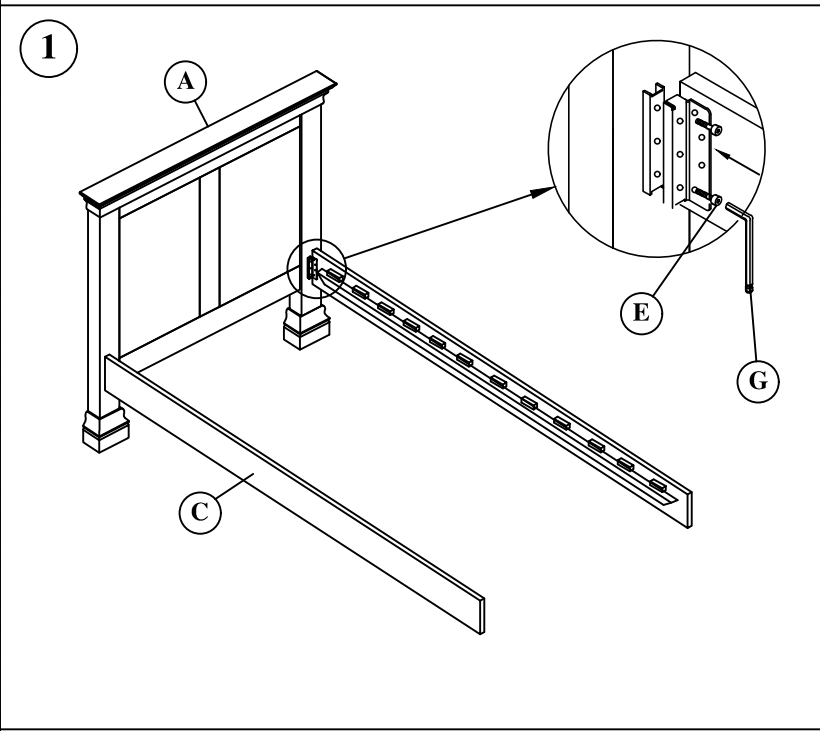
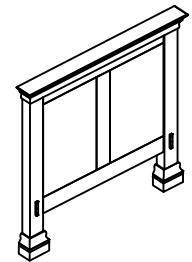
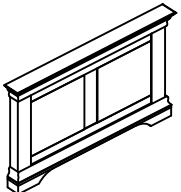


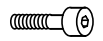
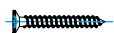



Assembly Instruction - 3' BED

FBO - SB01 / FMT

Part List



A		Head Board	1 PC
B		Foot Board	1 PC
C		Side Rail	2 PCS
D		Slats	13 PCS
E		Bolts	8 PCS
F		Screw 30 mm	6 PCS
G		Allen key	2 PCS