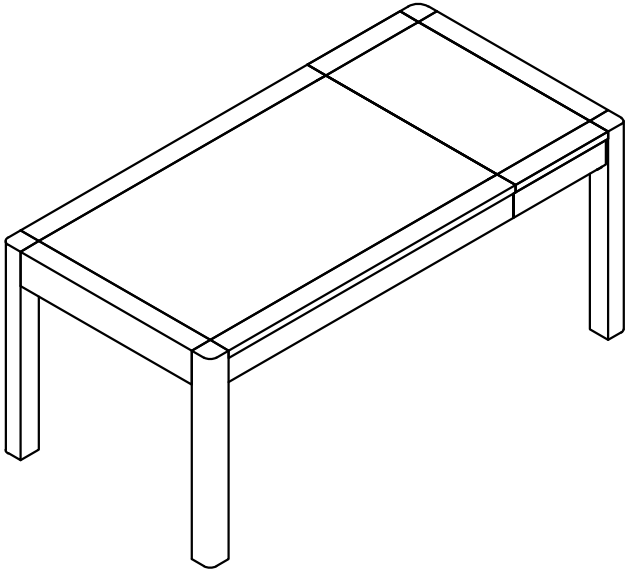
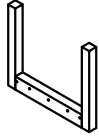

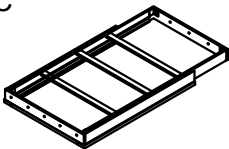

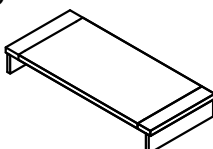


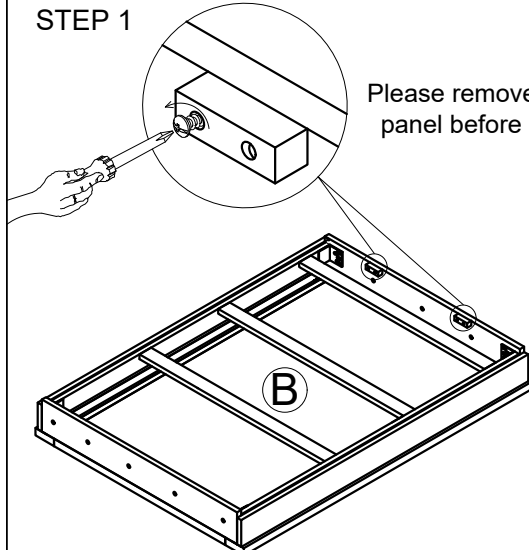


ASSEMBLY INSTRUCTIONS TABLE

EXT. DINING TABLE

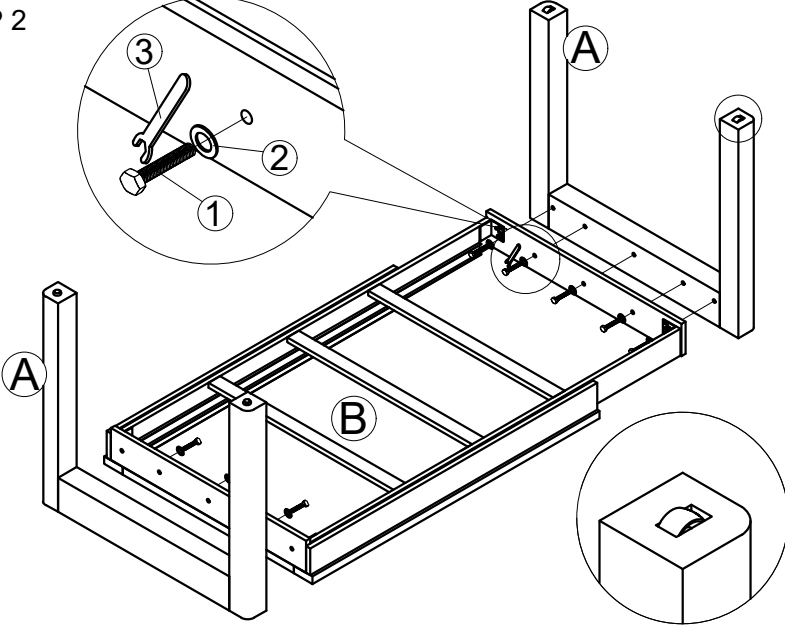
PARTSLIST	HARDWARELIST	
(A) 2PCS 	①  M10x50 10PCS	
(B) 1PC 	②  10PCS	
(C) 1PC 	③  1PC ④  2PCS	

STEP 1

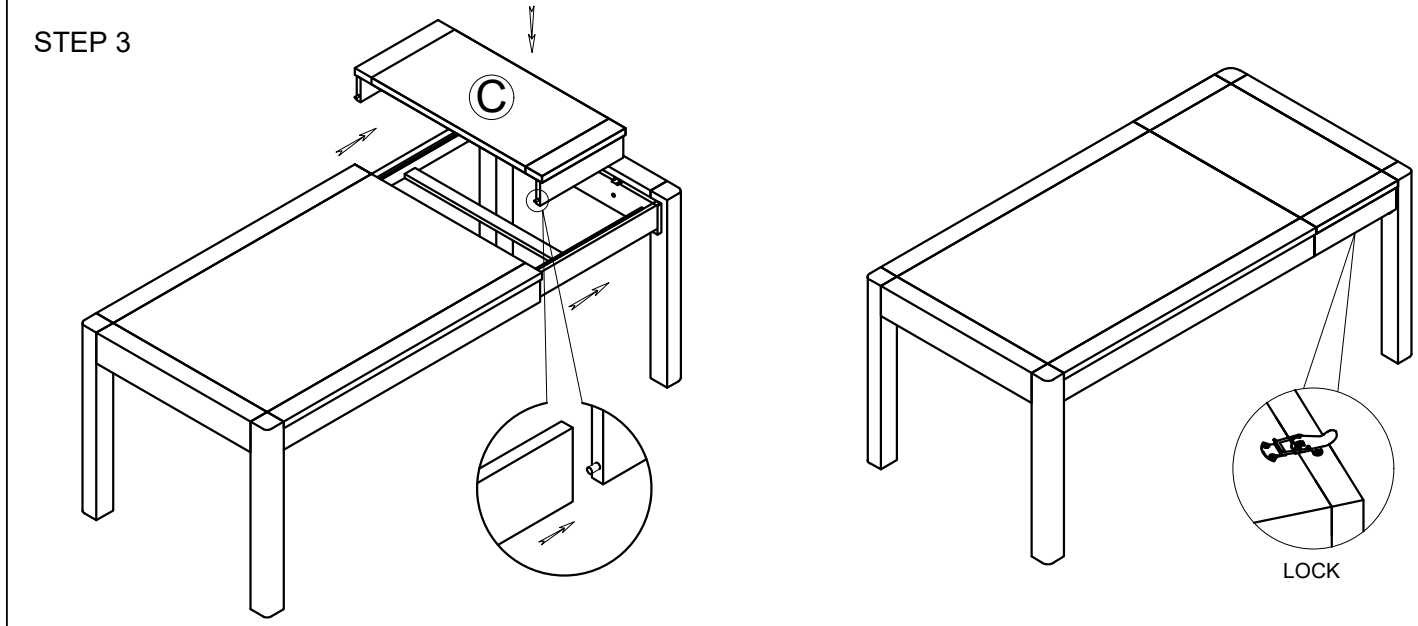


Please remove this panel before use

STEP 2



STEP 3



LOCK