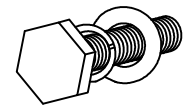


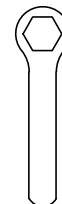
A: Top x 01



B: Leg x 04



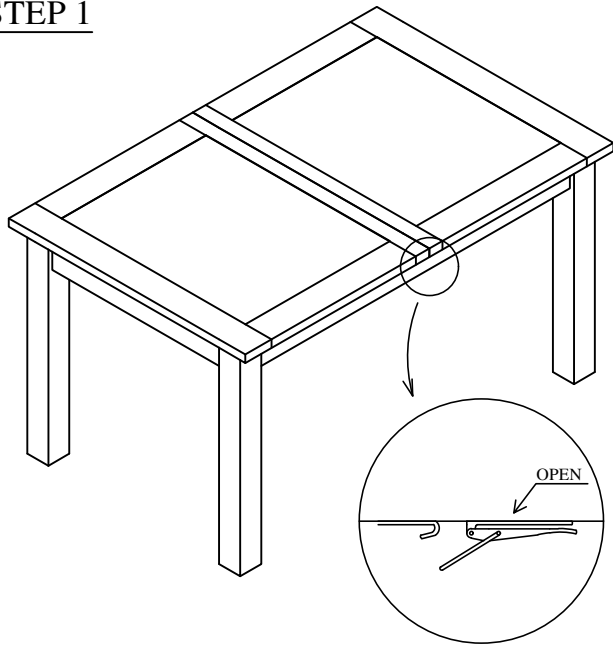
C: Bolt & Washer  
10 x 60mm : 08



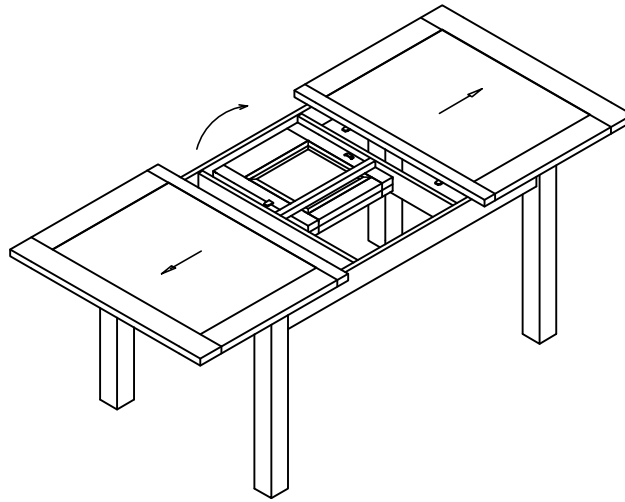
D: Key x 01

↓ CONTINUE

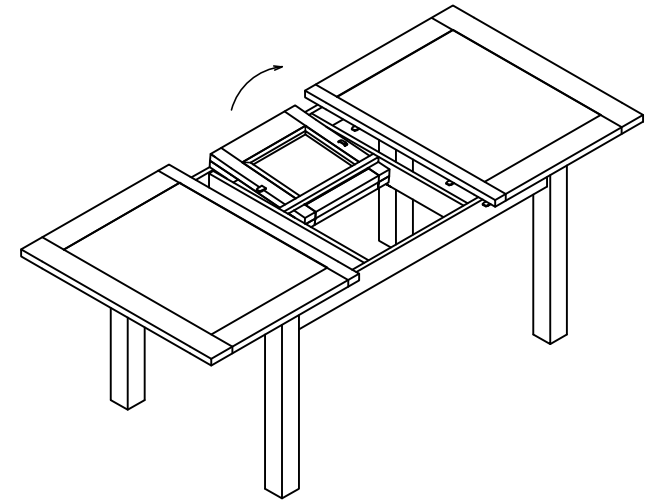
STEP 1



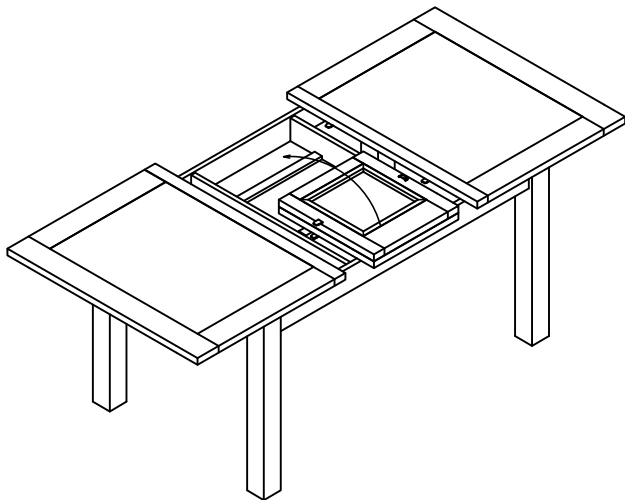
STEP 2



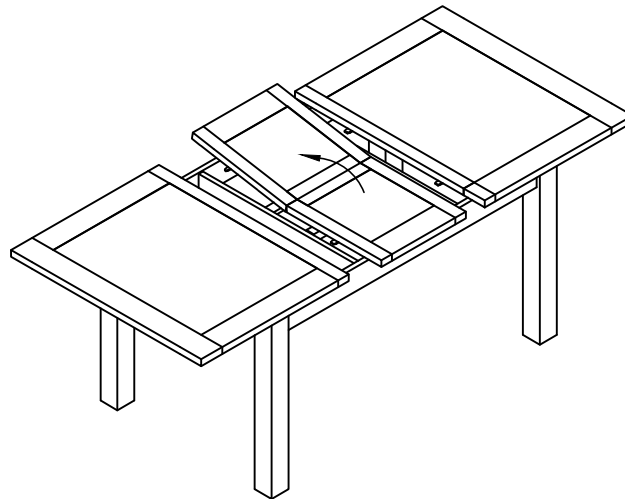
STEP 3



STEP 4



STEP 5



STEP 6

