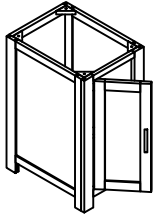
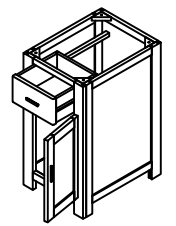
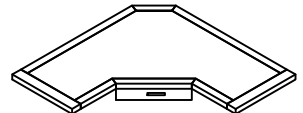
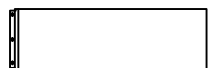
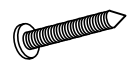

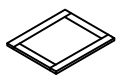




-  A: LEFT BOX x 01
-  B: RIGHT BOX x 01
-  C: TOP x 01
-  D: BACK FRAME x 01
-  E: SCREW 15mm x 08
-  F: BOLTS 30mm x 03
-  G: Shelf x 02
-  H: Cottar x 08
-  I: ALLEN KEY x 01

