

2200-REC/2400-REC

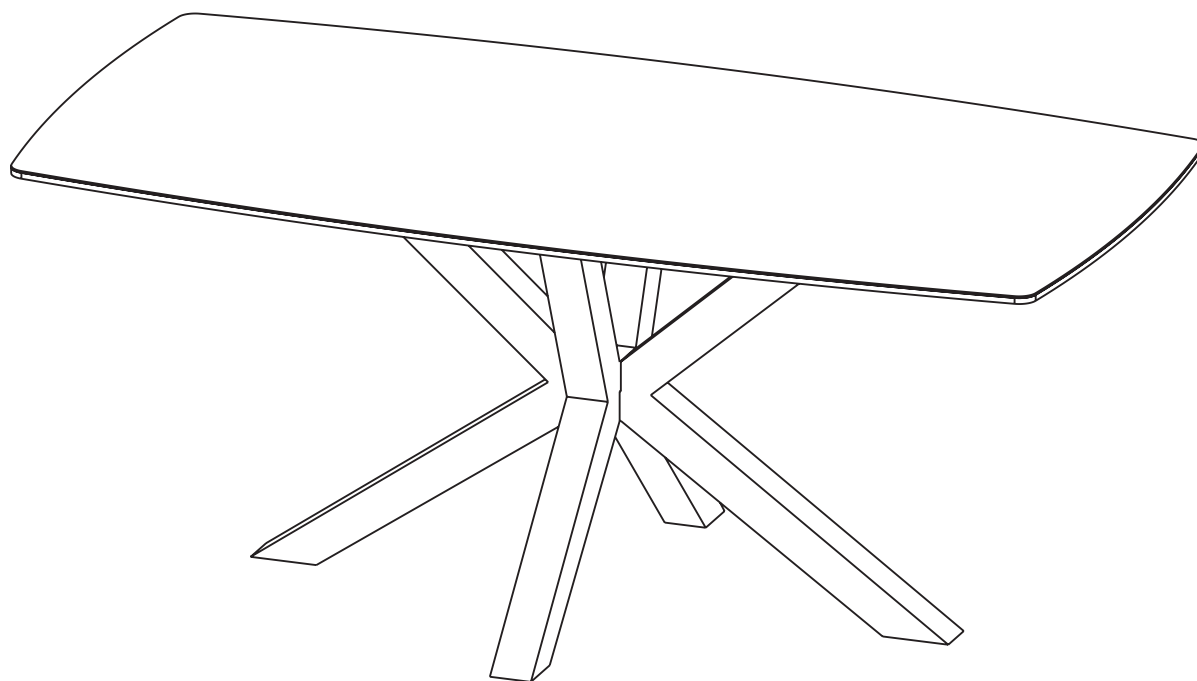
2.2m/2.4m Rectangle Table

Assembly instructions

Actual product size

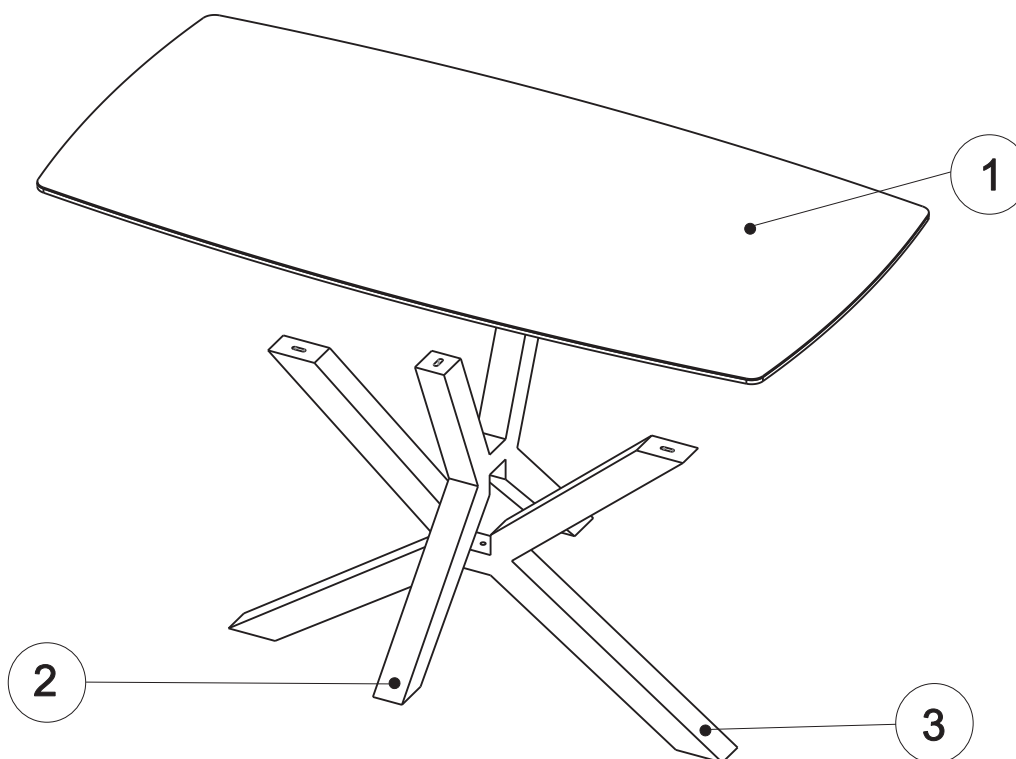
H75xW220xD100cm

H75xW240xD100cm

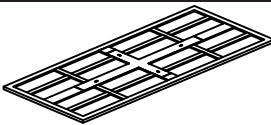
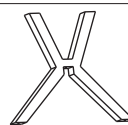
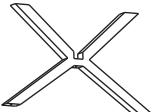


IMPORTANT- RETAIN FOR FUTURE REFERENCE

GETTING TO KNOW YOUR PRODUCT

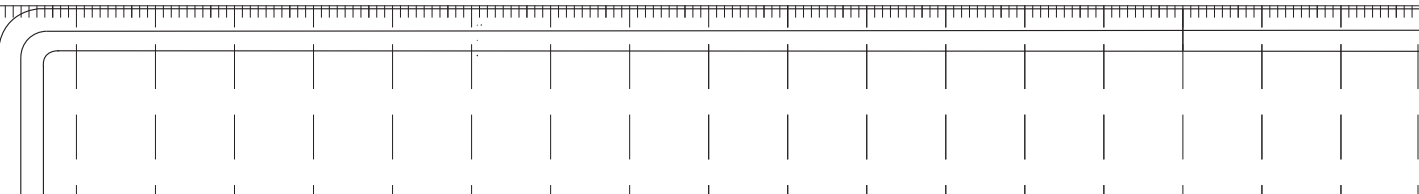

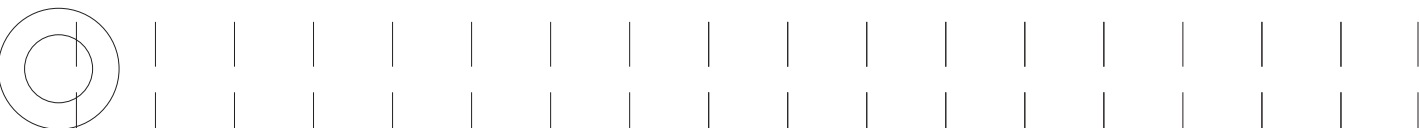
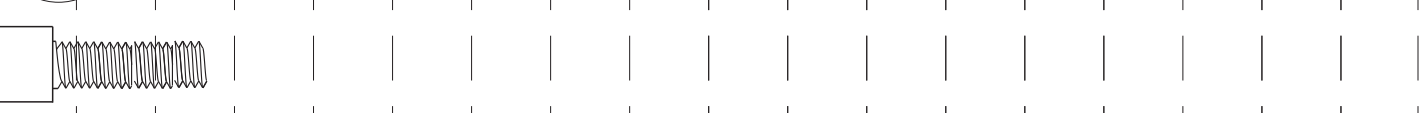
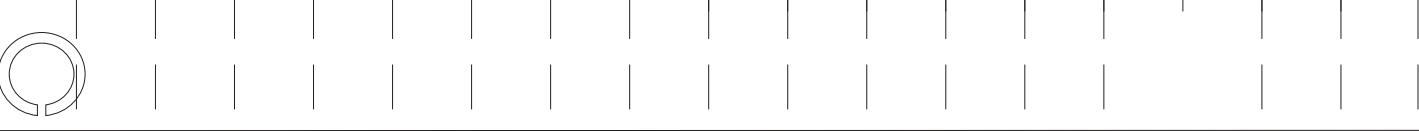


Component supplied

Ref	Dimensions	visual	Qty
1	220x100cm/240x100cm		1
2	71.8x80.6x7cm		1
3	71.8x160x7cm		1

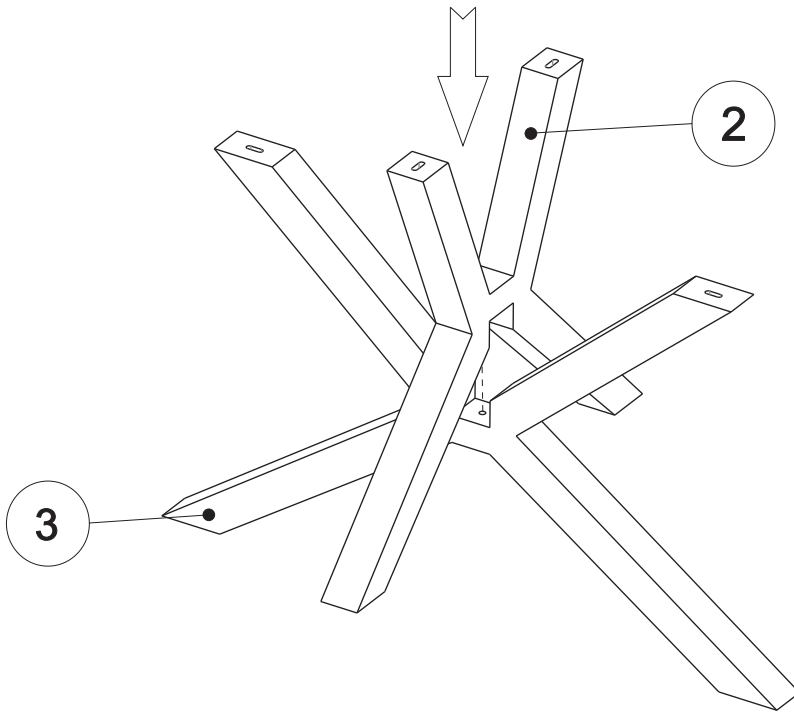
Fixture and Fittings supplied(actual size)

mm 10 20 30 40 50 60 70 80 90 100 110 120 130 140 150 160 170 180

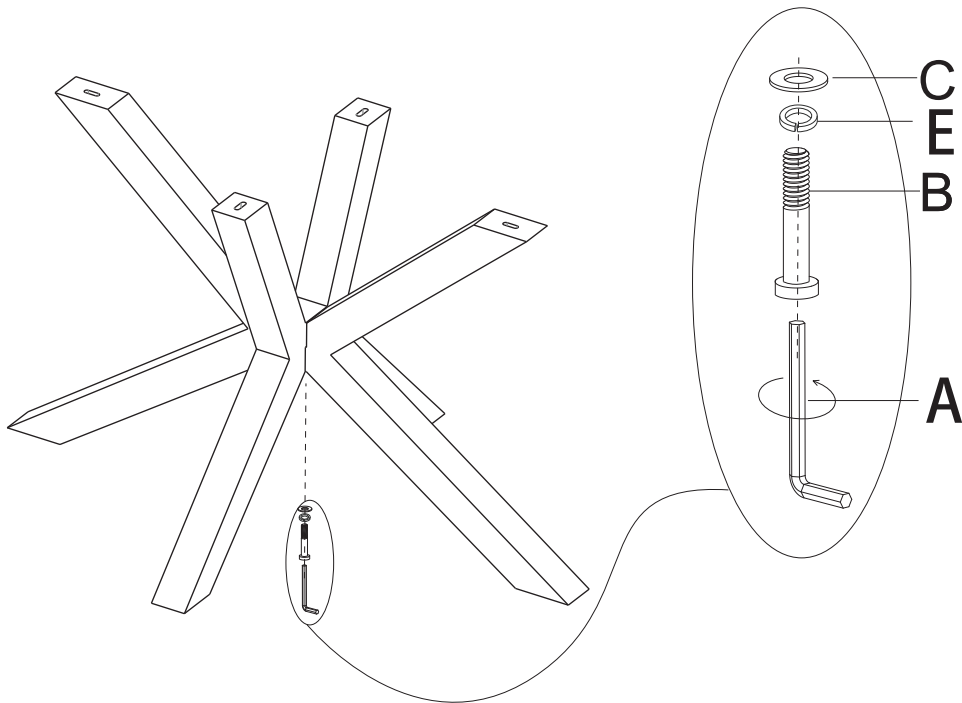
REF	DIMENSIONS	QTY	
A	180X40MM	1	
B	13X87MM	1	
C	19X2MM	5	
D	13X27MM	4	
E	12X1MM	1	

* Just to let you know we have included a small quantity of fixings in case of mishap, so don't worry if you've got a few left when you've finished.

Step 1

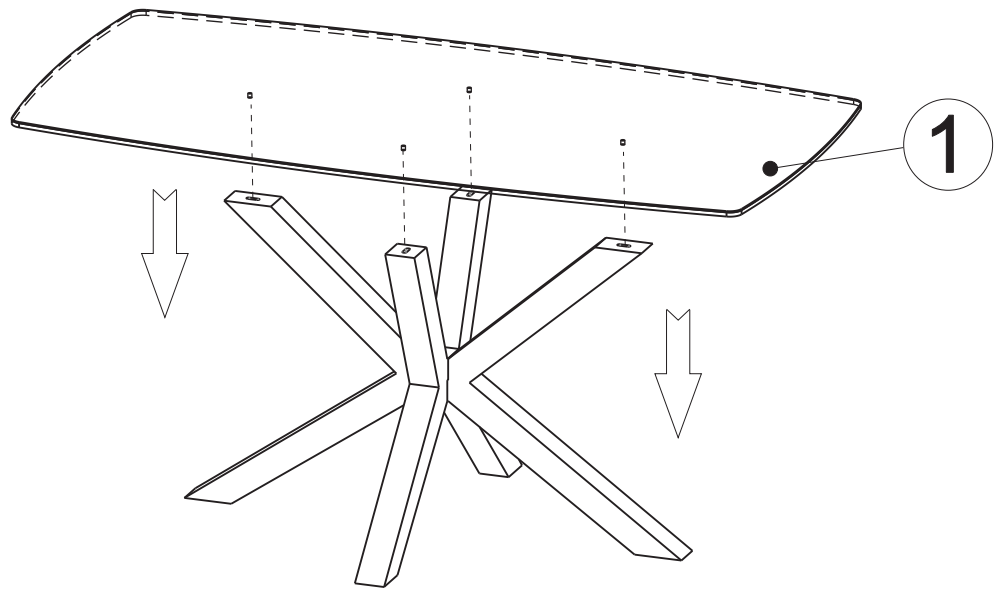


Step 2

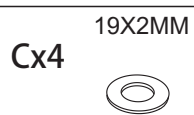
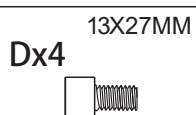
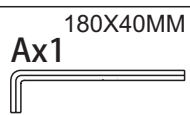
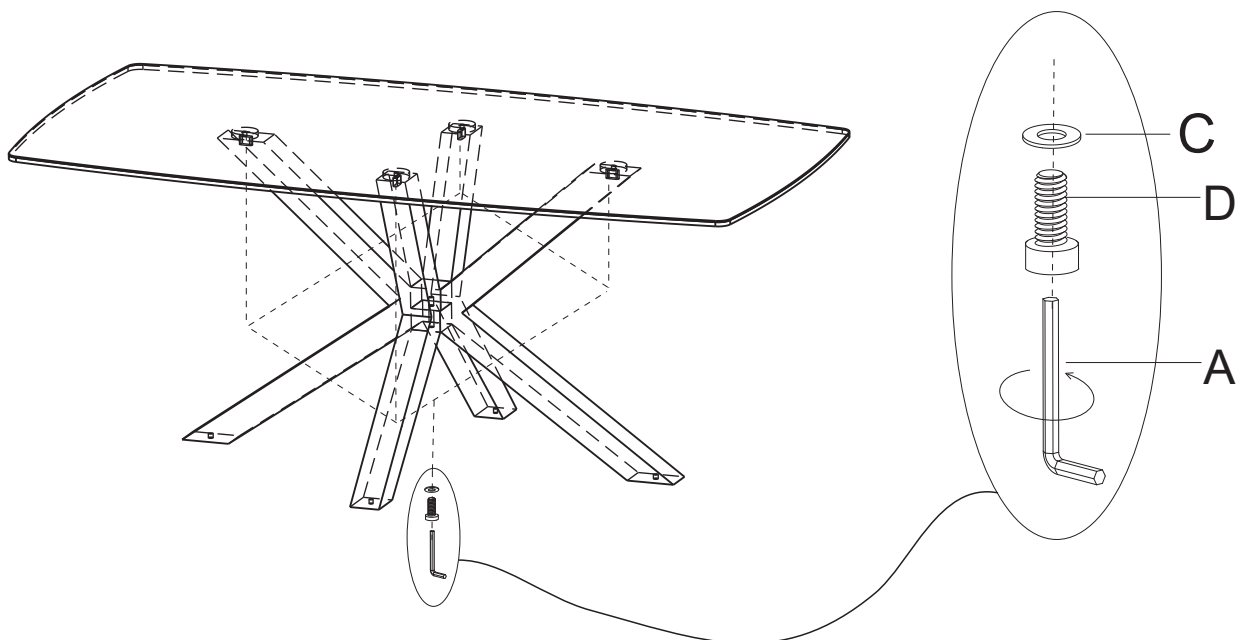


Ax1 180X40MM	Bx1 13X87MM	Cx1 19X2MM	Ex1 12X1MM

Step 3

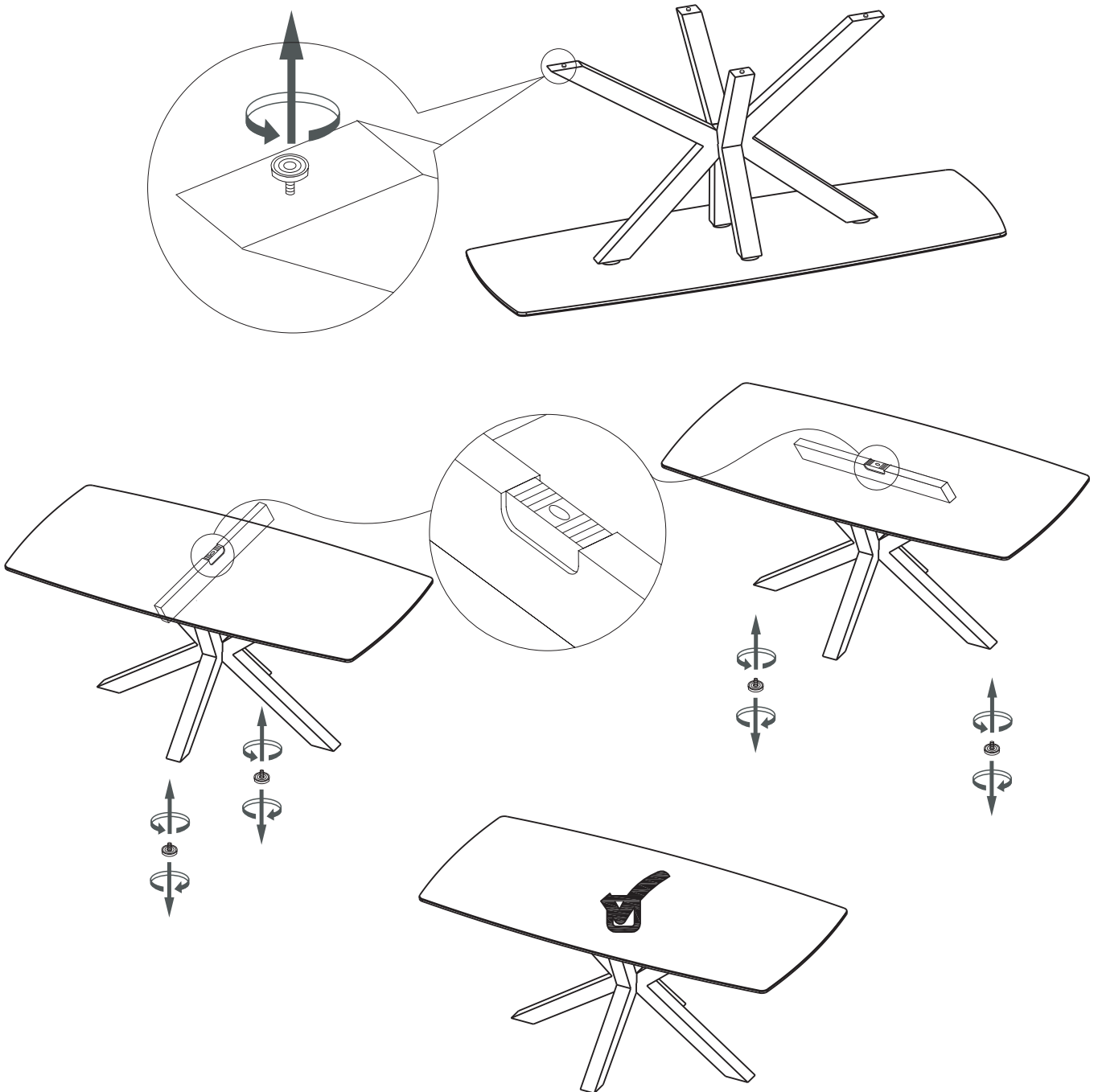


Step 4



Step 5

The table legs have height adjustable foot pads to allow you to easily level your table on uneven floors. Simply turn the foot pads to adjust the height.



Please note it needs 2 people move or turn over the table carefully.



Please note it needs 2 people move or turn over the table carefully.