

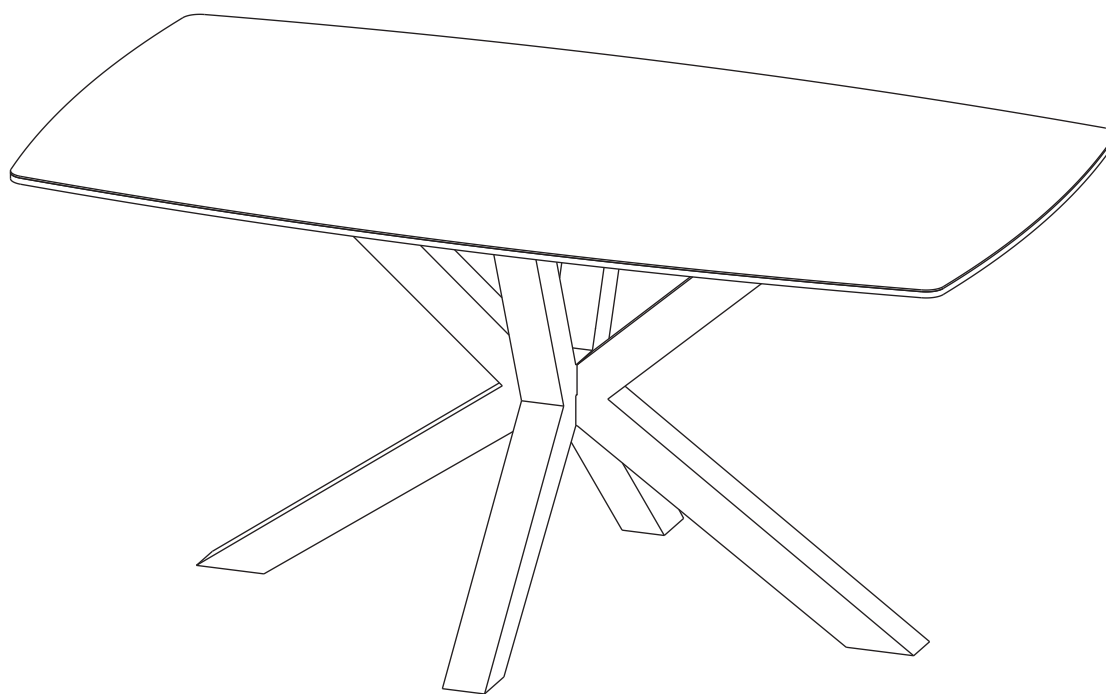
# 1600-REC/1800-REC 1.6m/ 1.8m Rectangle Table

## Assembly instructions

### Actual product size

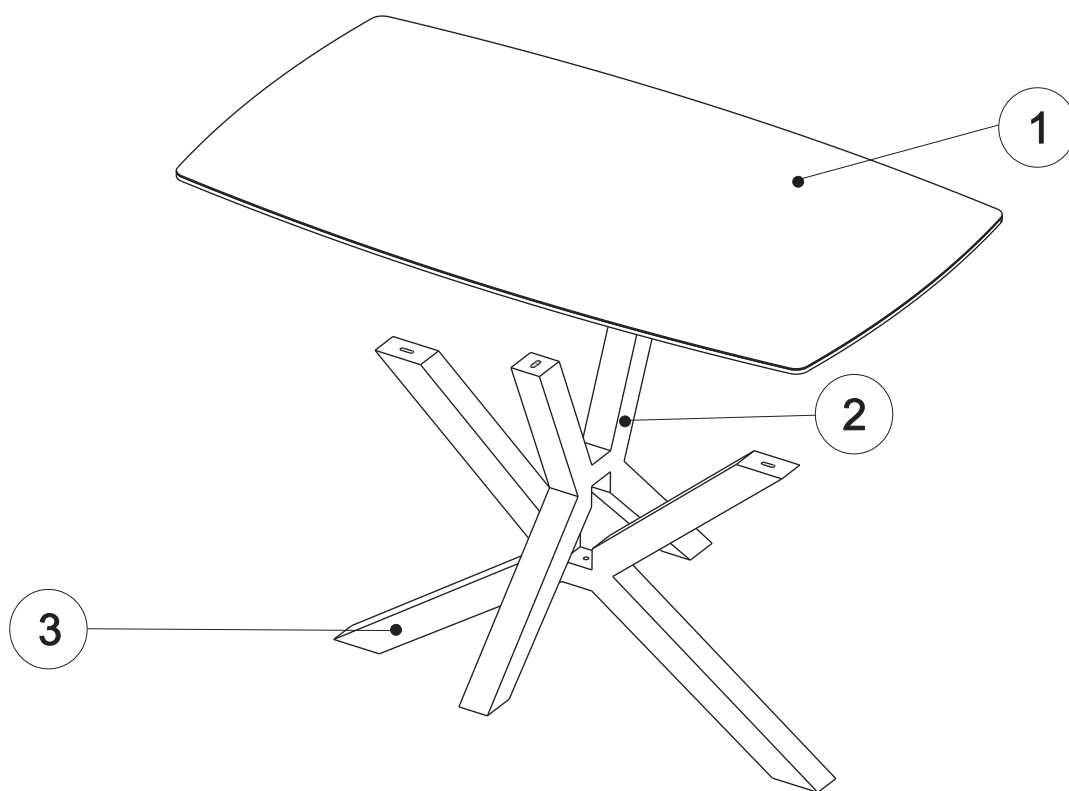
H75xW160xD90cm

H75xW180xD90cm

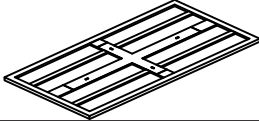

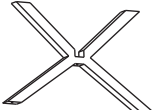


**IMPORTANT- RETAIN FOR FUTURE REFERENCE**

## GETTING TO KNOW YOUR PRODUCT



### Component supplied

| Ref | Dimensions        | visual   | Qty |
|-----|-------------------|--|-----|
| 1   | 160x90cm/180x90cm |  | 1   |
| 2   | 71.8x69.5x7cm     |  | 1   |
| 3   | 71.8x119.5x7cm    |  | 1   |

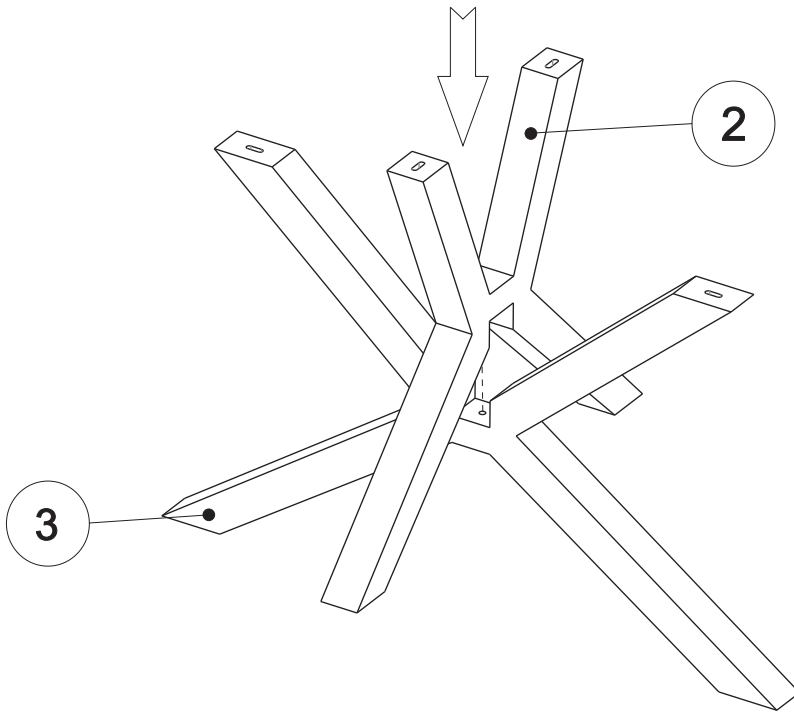
# Fixture and Fittings supplied(actual size)

mm 10 20 30 40 50 60 70 80 90 100 110 120 130 140 150 160 170 180

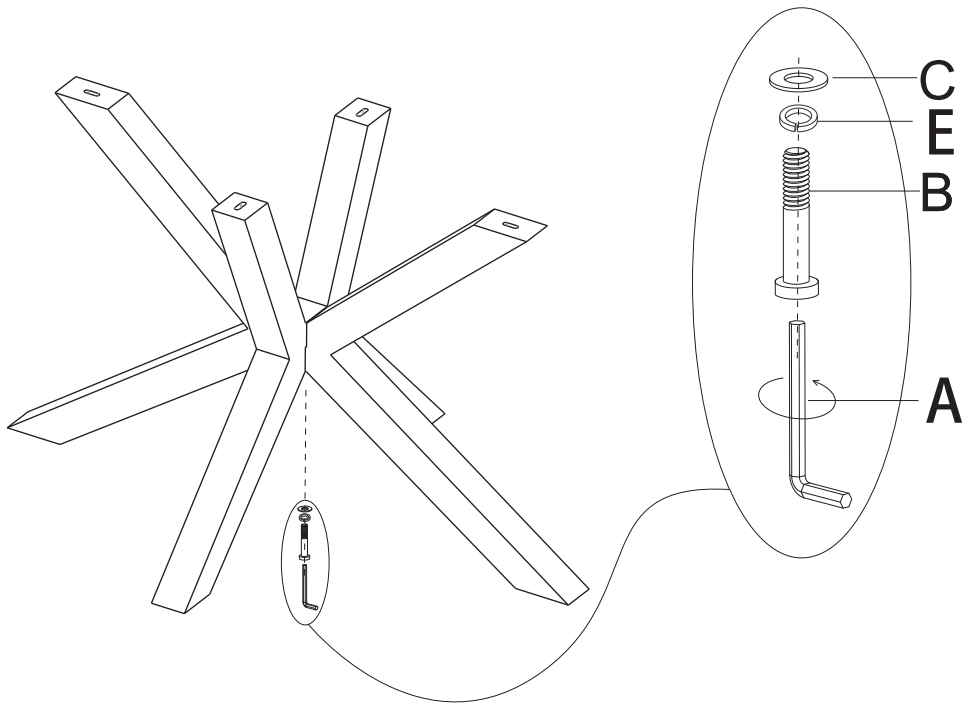
| REF | DIMENSIONS | QTY |  |
|-----|------------|-----|--|
| A   | 180X40MM   | 1   |  |
| B   | 13X87MM    | 1   |  |
| C   | 19X2MM     | 5   |  |
| D   | 13X27MM    | 4   |  |
| E   | 12X1MM     | 1   |  |

\* Just to let you know we have included a small quantity of fixings in case of mishap, so don't worry if you've got a few left when you've finished.

# Step 1

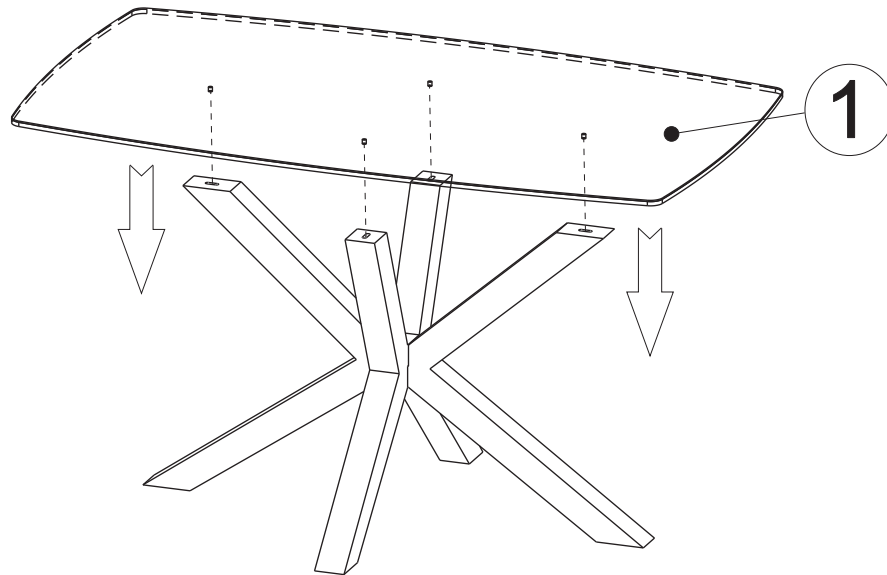


# Step 2

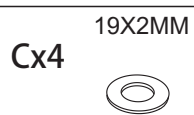
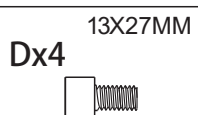
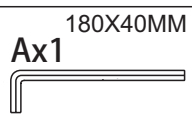
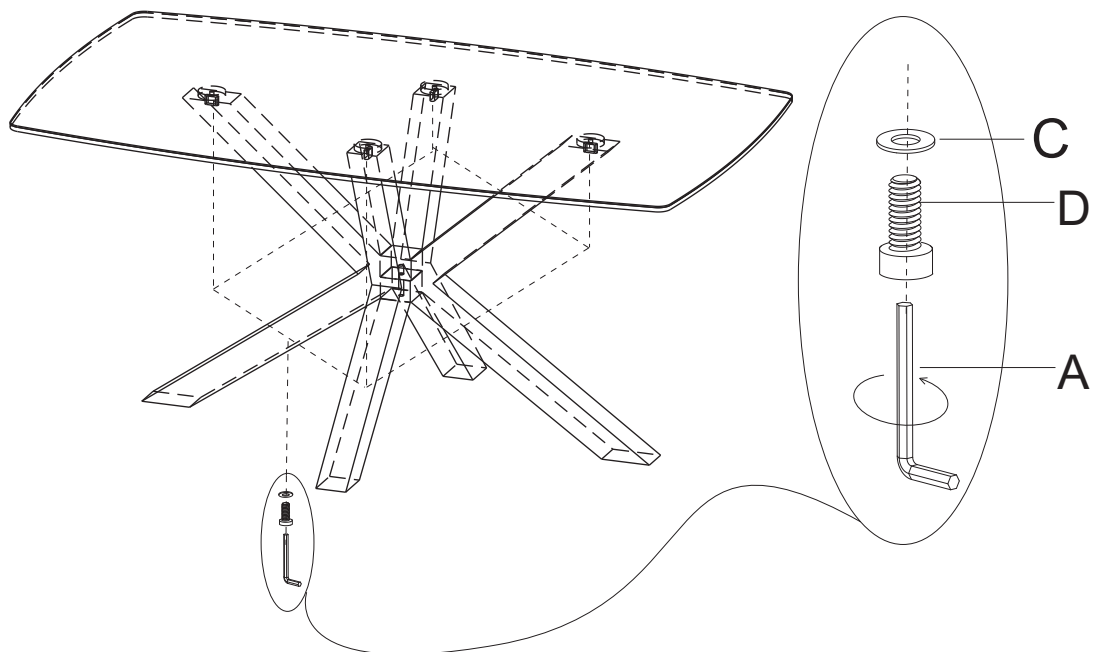


|                        |                       |                      |                      |
|------------------------|-----------------------|----------------------|----------------------|
| <b>Ax1</b><br>180X40MM | <b>Bx1</b><br>13X87MM | <b>Cx1</b><br>19X2MM | <b>Ex1</b><br>12X1MM |
|                        |                       |                      |                      |

## Step 3

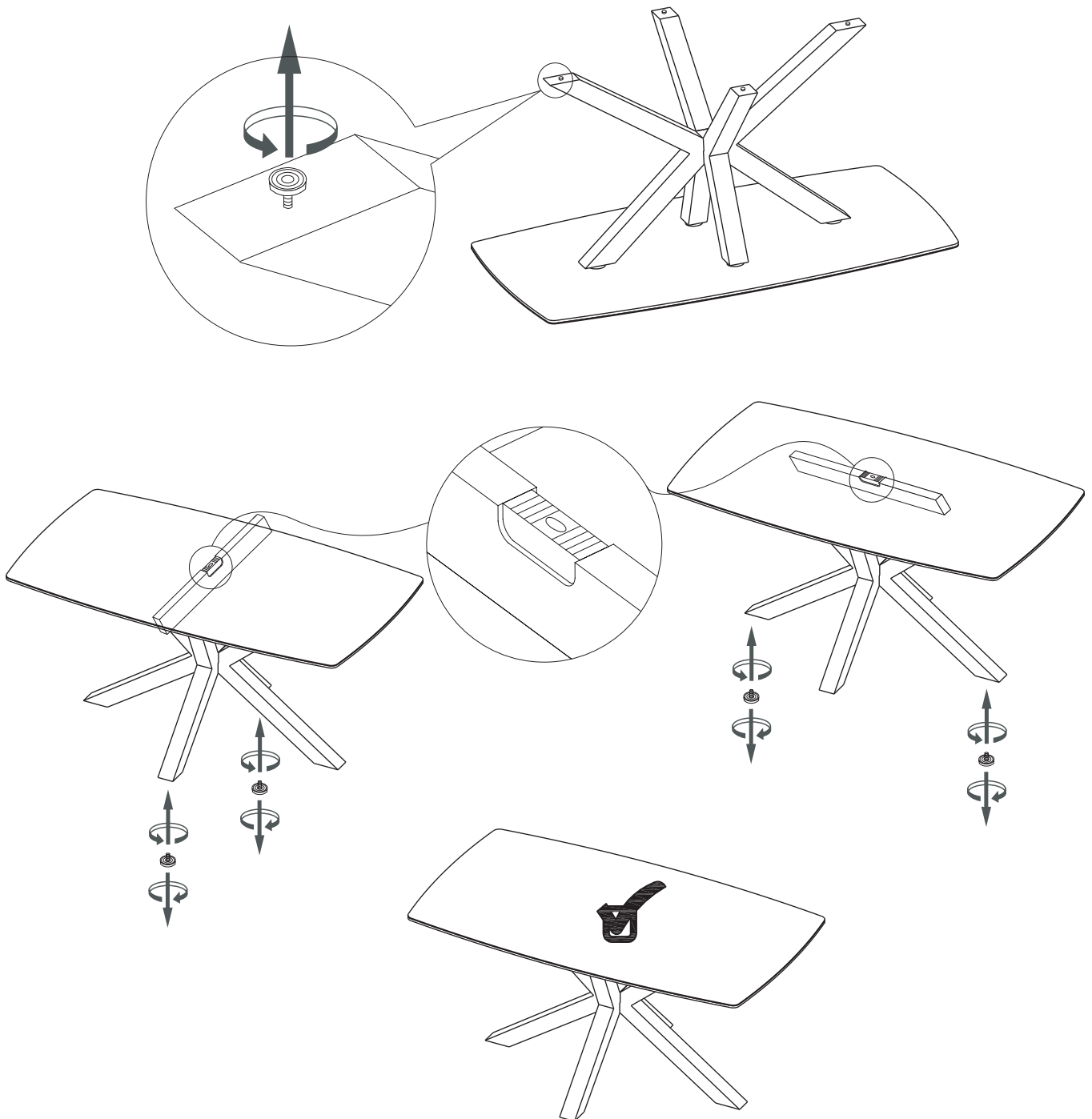


## Step 4



## Step 5

The table legs have height adjustable foot pads to allow you to easily level your table on uneven floors. Simply turn the foot pads to adjust the height.



Please note it needs 2 people move or turn over the table carefully.



Please note it needs 2 people move or turn over the table carefully.