

1200-RND

1.2m Round Table

Assembly instructions

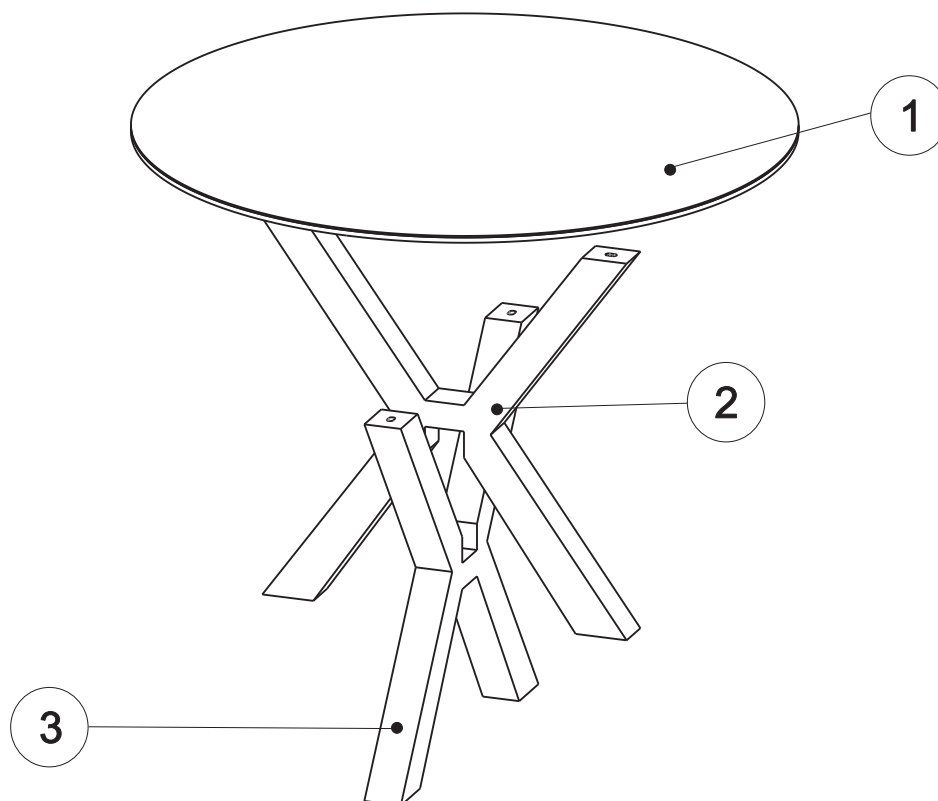
Actual product size

H75xW120xD120cm

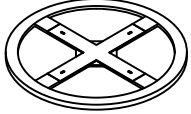
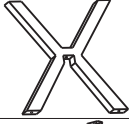



IMPORTANT- RETAIN FOR FUTURE REFERENCE

GETTING TO KNOW YOUR PRODUCT

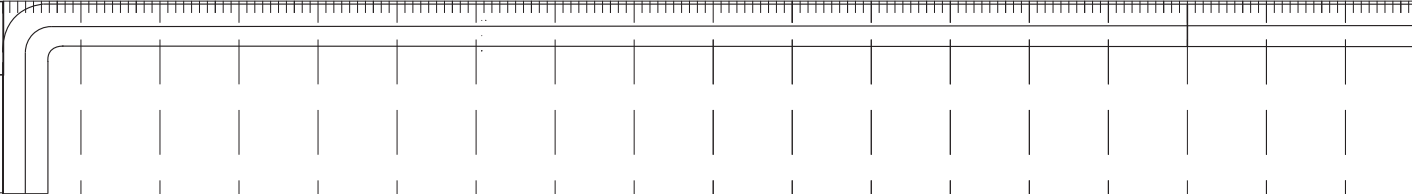
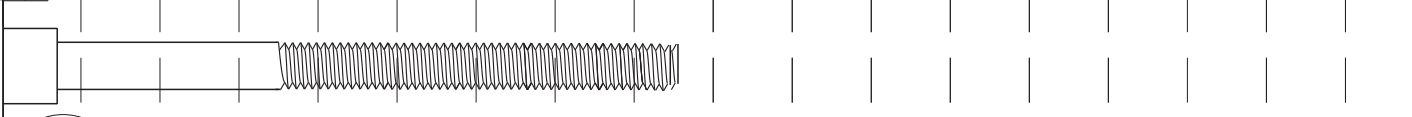
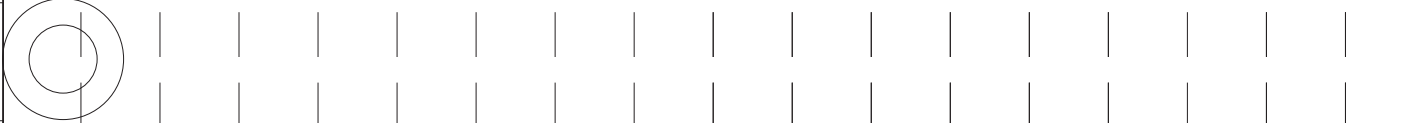




Component supplied

Ref	Dimensions	visual	Qty
1	120x120cm		1
2	71.8x90x7cm		1
3	71.8x90x7cm		1

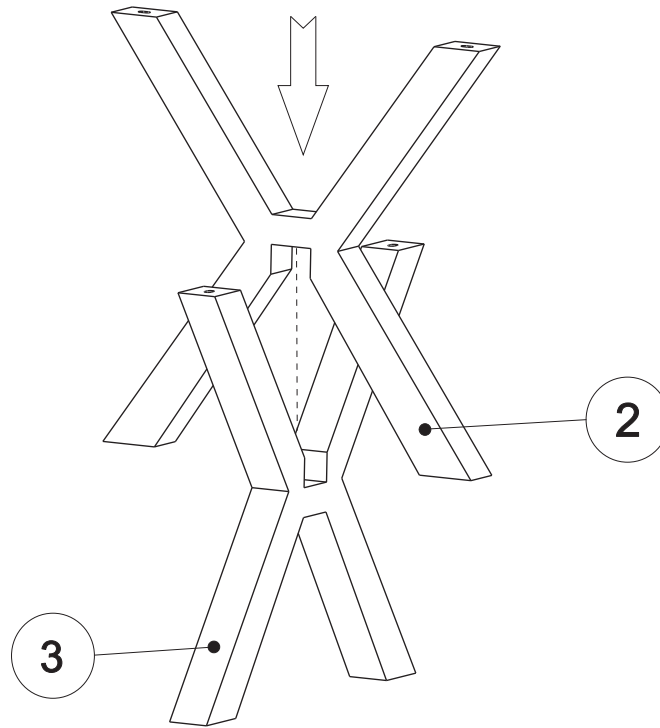
Fixture and Fittings supplied(actual size)

mm 10 20 30 40 50 60 70 80 90 100 110 120 130 140 150 160 170 180

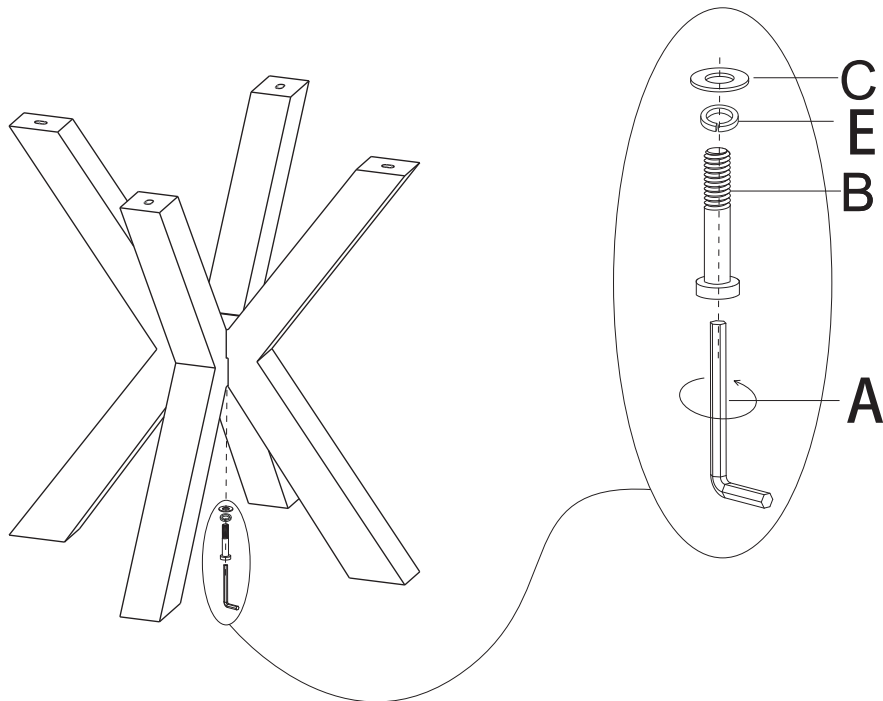
REF	DIMENSIONS	QTY	
A	180X40MM	1	
B	13X87MM	1	
C	19X2MM	5	
D	13X27MM	4	
E	12X1MM	1	

* Just to let you know we have included a small quantity of fixings in case of mishap, so don't worry if you've got a few left when you've finished.

Step 1

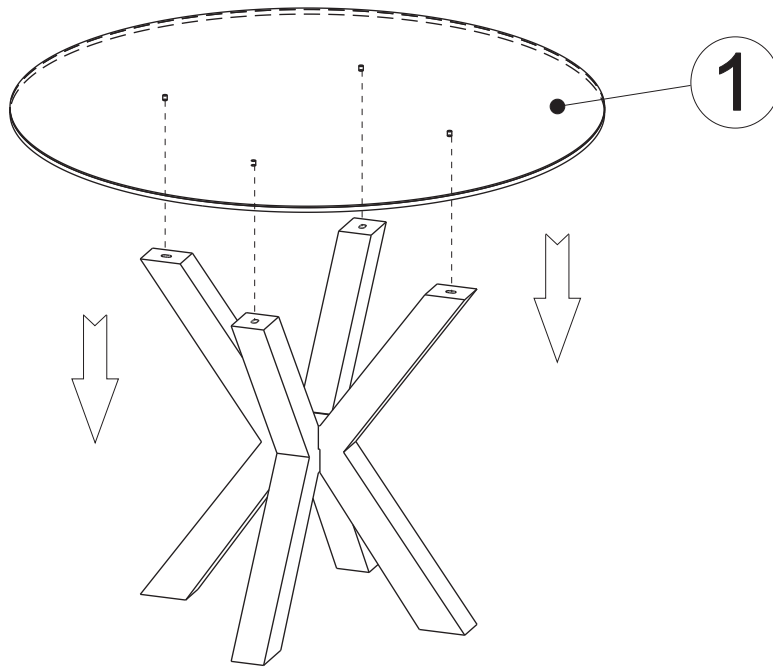


Step 2

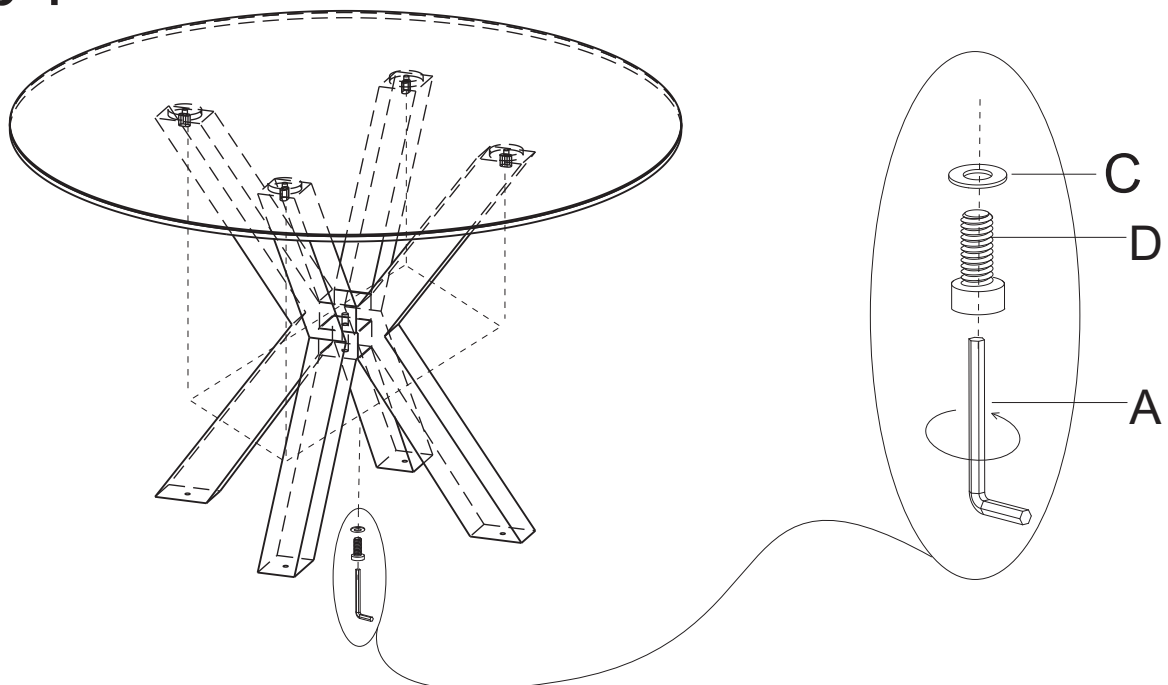



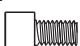

Ax1 180X40MM	Bx1 13X87MM	Cx1 19X2MM	Ex1 12X1MM

Step 3



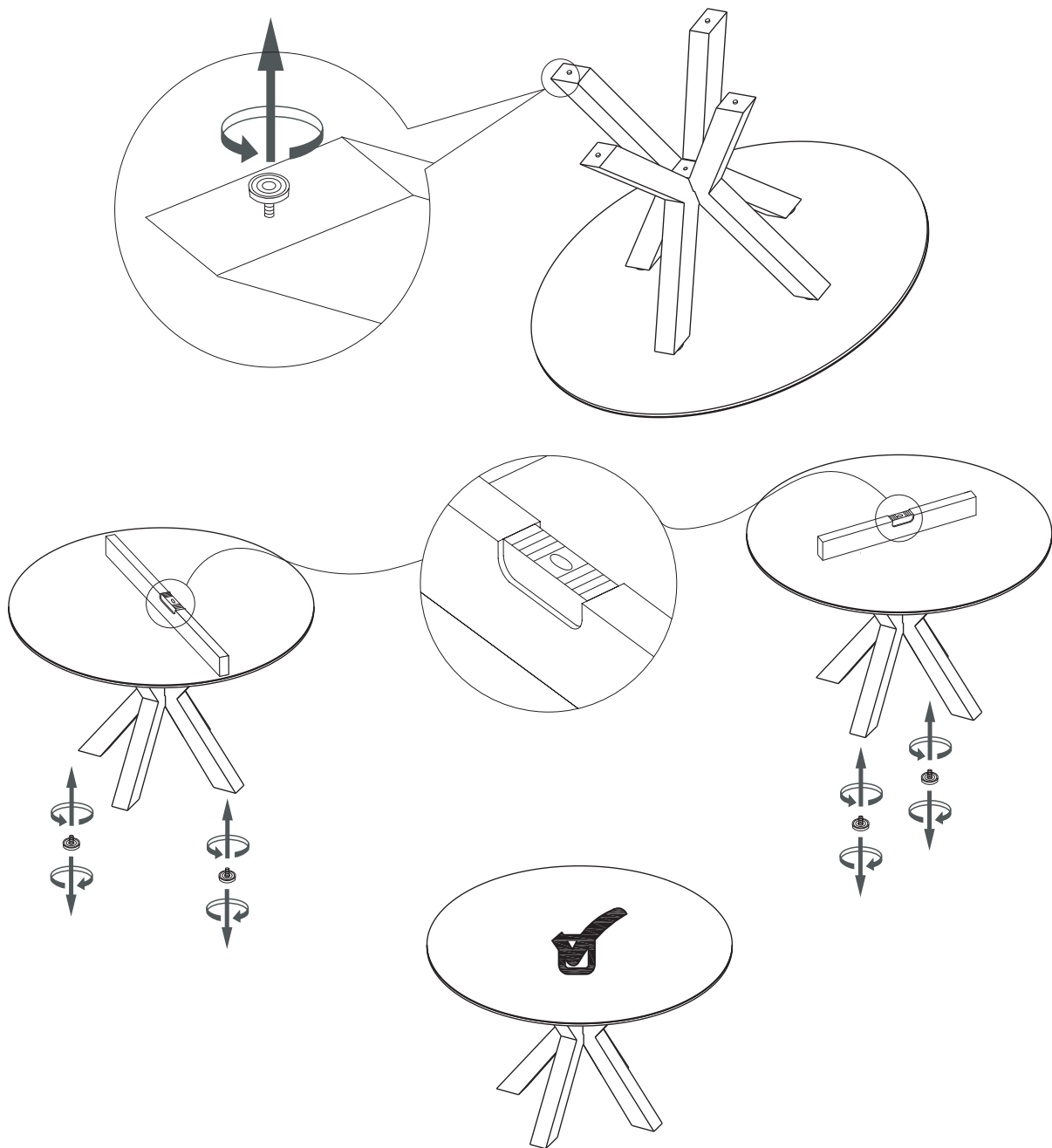
Step 4



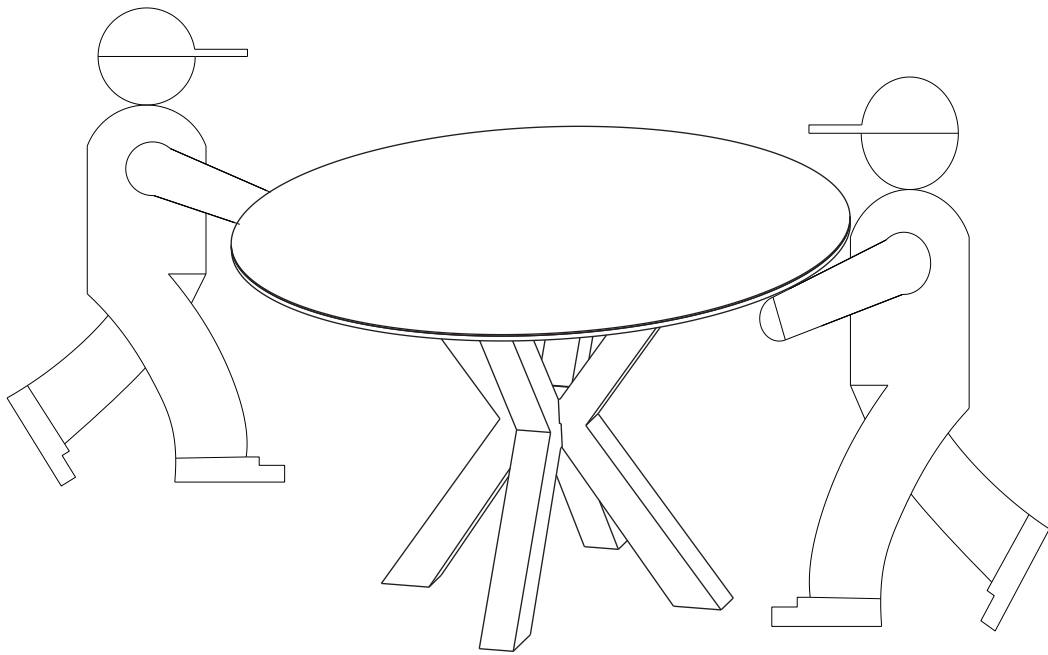
 Ax1 180X40MM	 Dx4 13X27MM	 Cx4 19X2MM
---	--	---

Step 5

The table legs have height adjustable foot pads to allow you to easily level your table on uneven floors. Simply turn the foot pads to adjust the height.



Please note it needs 2 people move or turn over the table carefully.



Please note it needs 2 people move or turn over the table carefully.