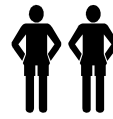
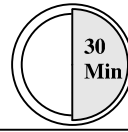
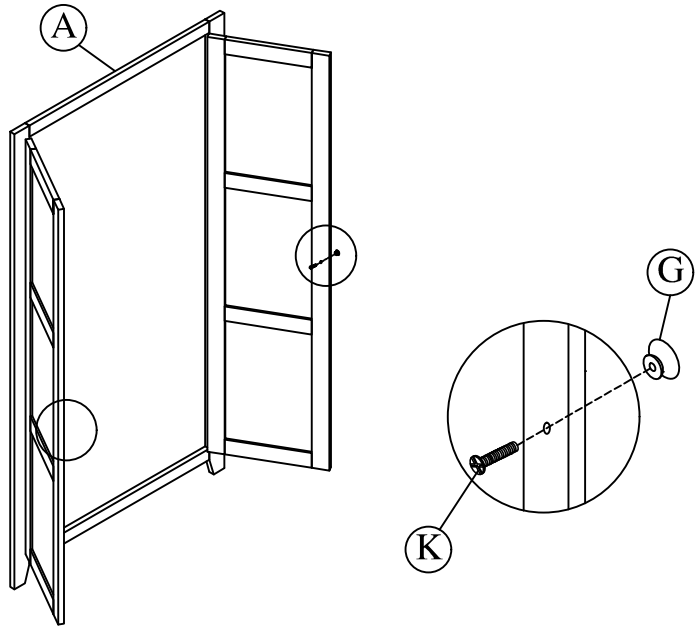


Product Assembly : Double Shaker Cupboard  
AGC - RGLLR / MT

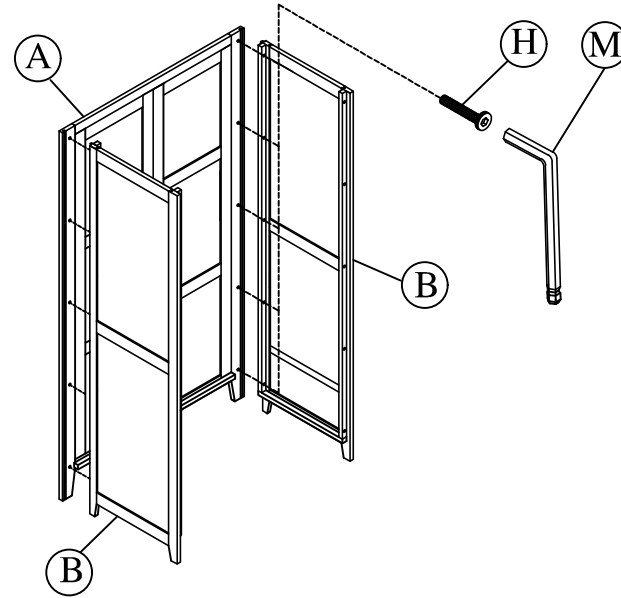


This assembly requires two people.

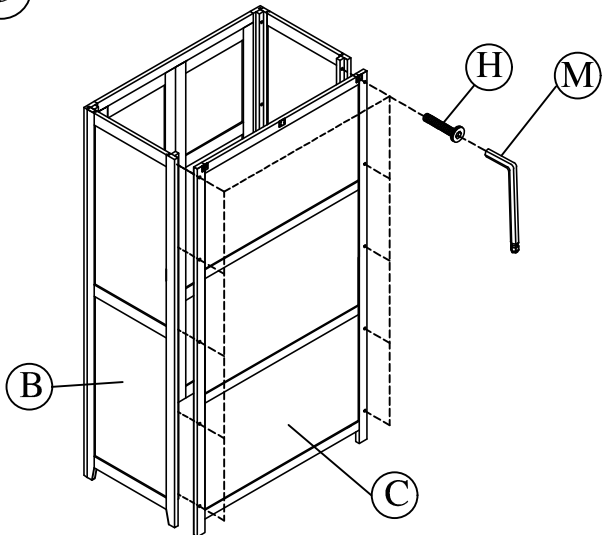
1



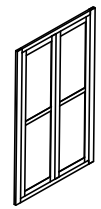
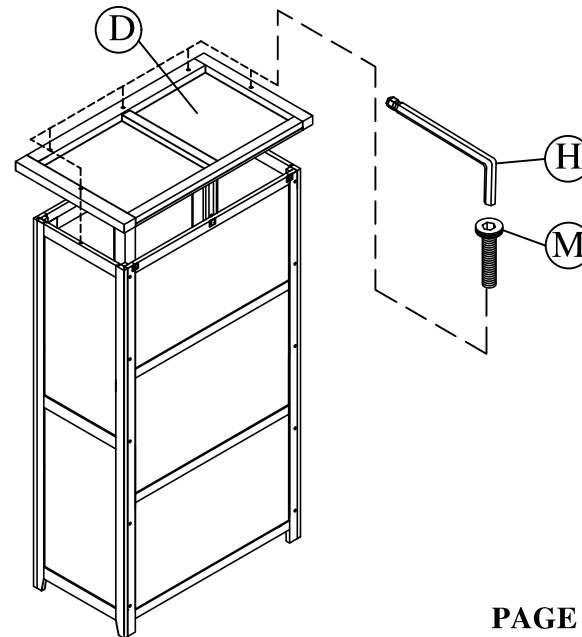
2



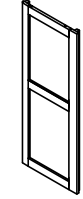
3



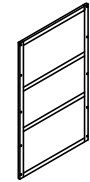
4



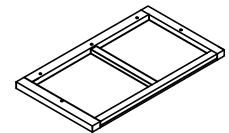
A : Door Frame x 01



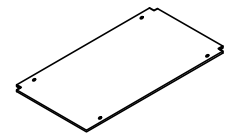
B : Side Frame x 02



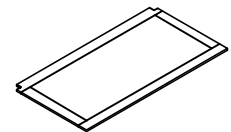
C : Back Frame x 01



D : Top Frame x 01

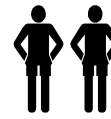
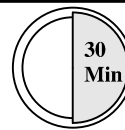


E : Bottom x 01



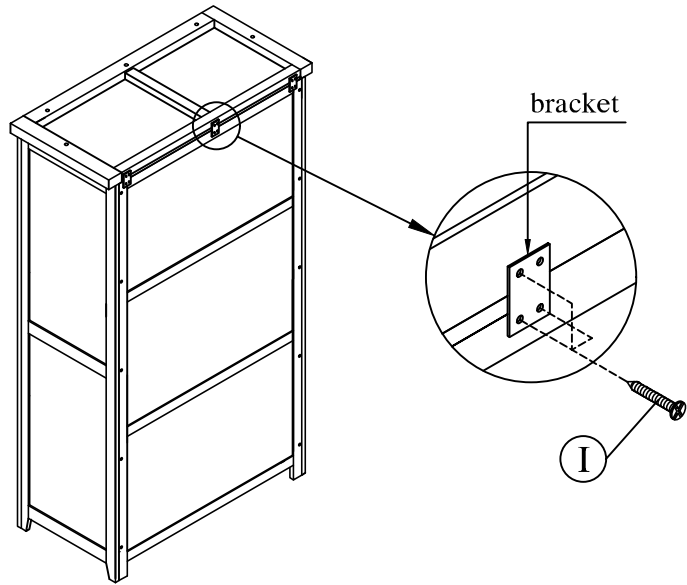
F : Shell x 05

Product Assembly : Double Shaker Cupboard  
**AGC - RGLLR / MT**

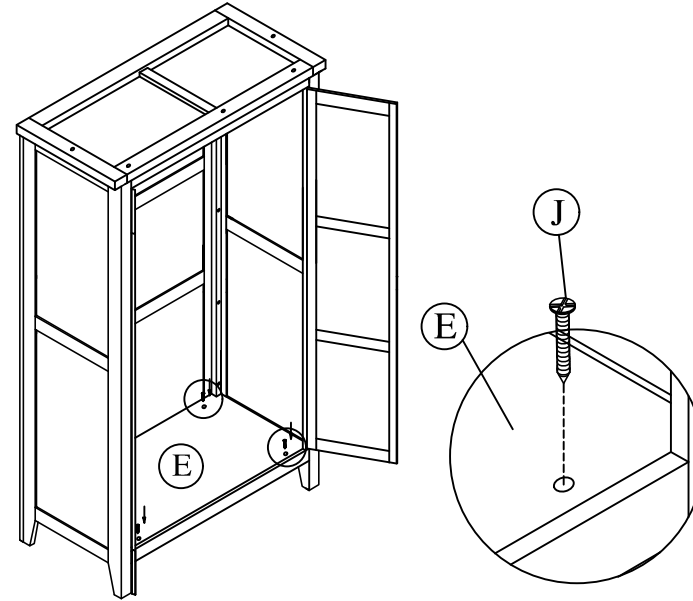


This assembly requires two people.

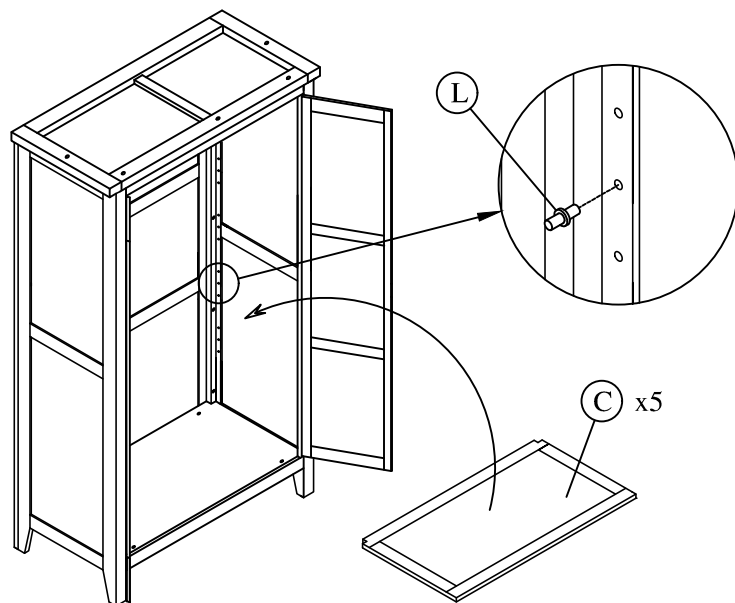
5



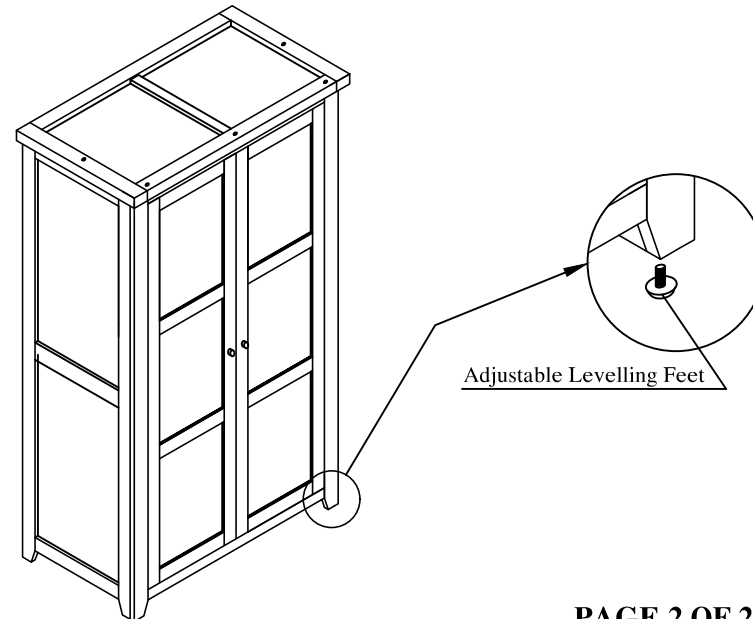
6



7



8



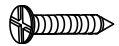
G : Handle x 02



H : Bolts  
 1/ 4" x 30mm x 25



I : Screws 15 mm x 09



J : Screws 25 mm x 04



K : Thin Bolt 30mm  
 & washer x 02



L : Shelf Pin x 20



M : Allen Key x 02

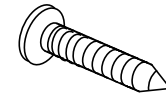
Product Assembly : Double Shaker Cupboard

AGC - RGLLR / MT



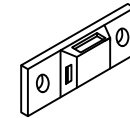
**A : Wall Strap**

**x 02**



**B : Screw 20 mm**

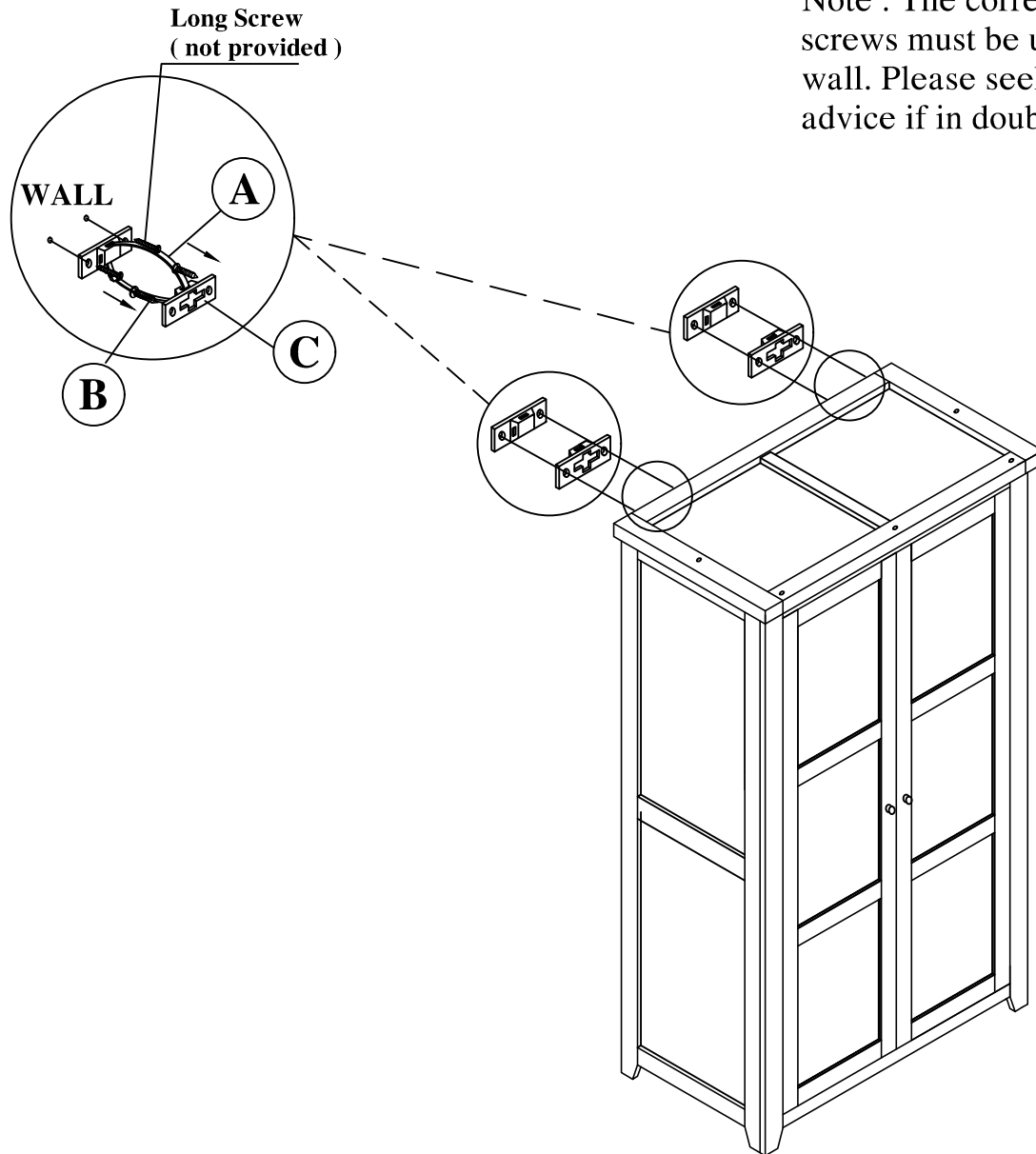
**x 04**



**C : Mouting plate**

**x 04**

Note : The correct type of wall screws must be used for your wall. Please seek professional advice if in doubt.



Long Screw  
( not provided )

WALL

A

B

C