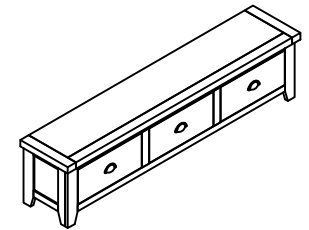
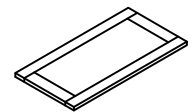


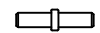
A : Carcase x 01



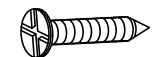
B : The base x 01



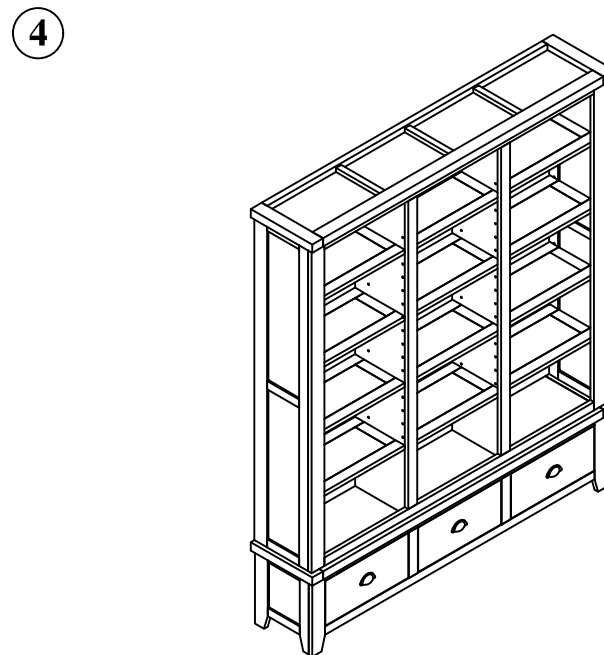
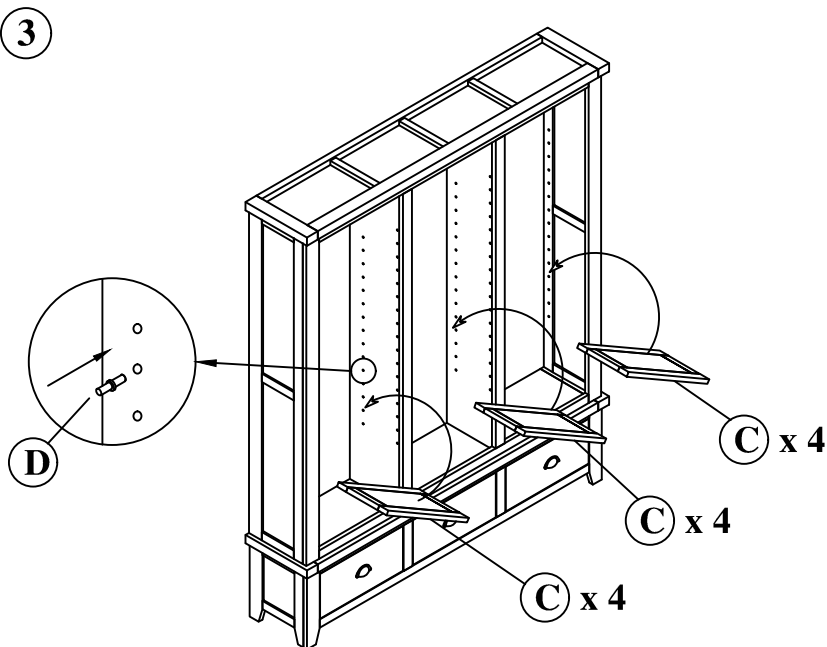
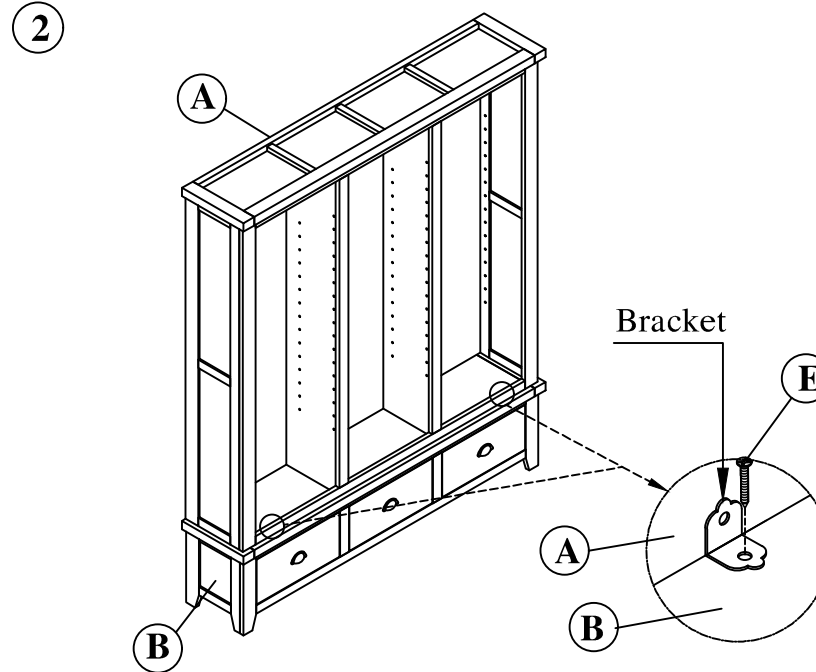
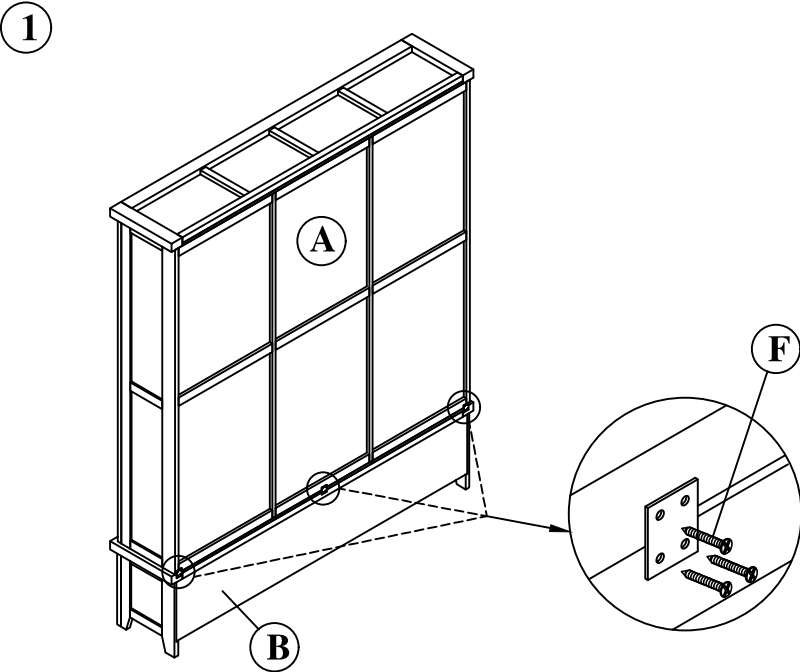
C : Shelf x 12

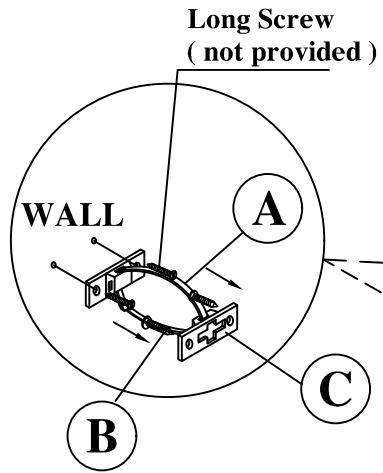


D : Shelf Pin x 48

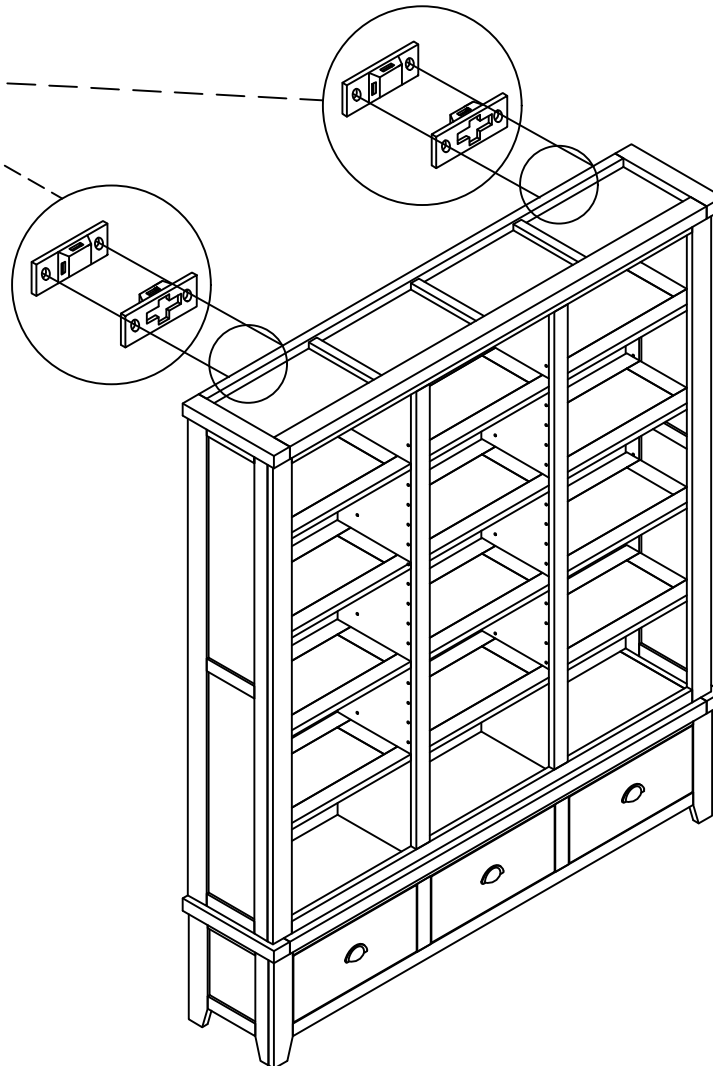


E : Screw 15 mm x 12



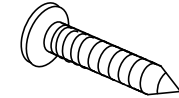


Note : The correct type of wall screws must be used for your wall. Please seek professional advice if in doubt.



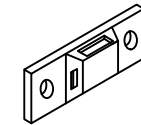
**A : Wall Strap**

**x 02**



**B : Screw 20 mm**

**x 04**



**C : Mouting plate**

**x 04**