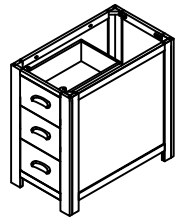
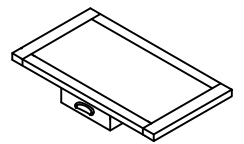


A: LEFT BOX x 01



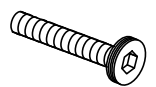
B: RIGHT BOX x 01



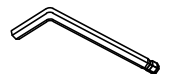
C: TOP x 01



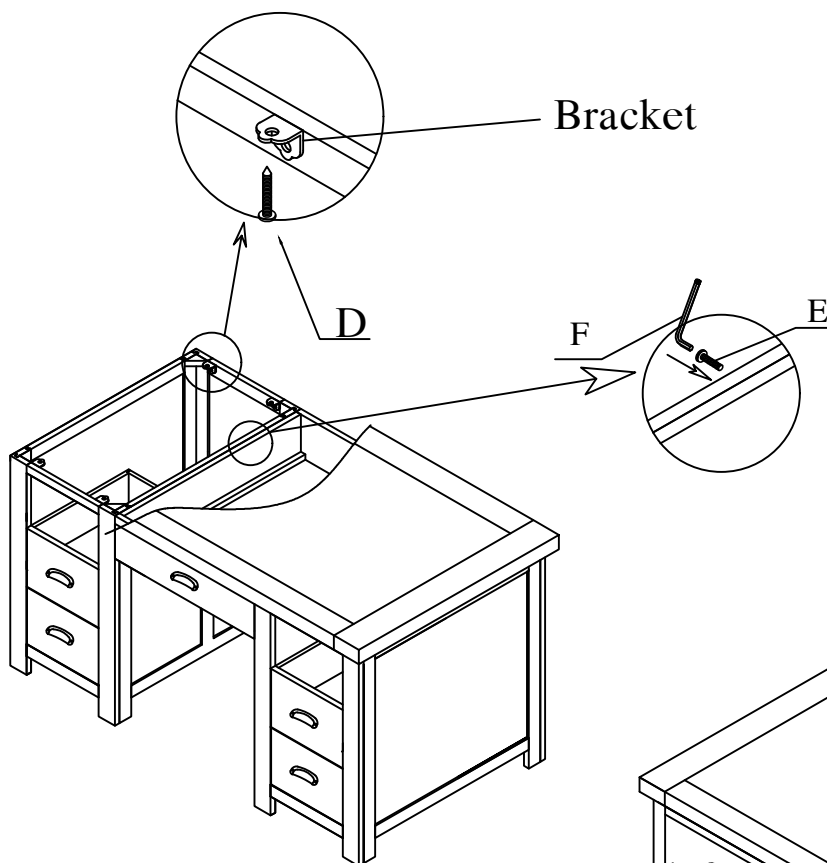
D: Screw 15mm x 08



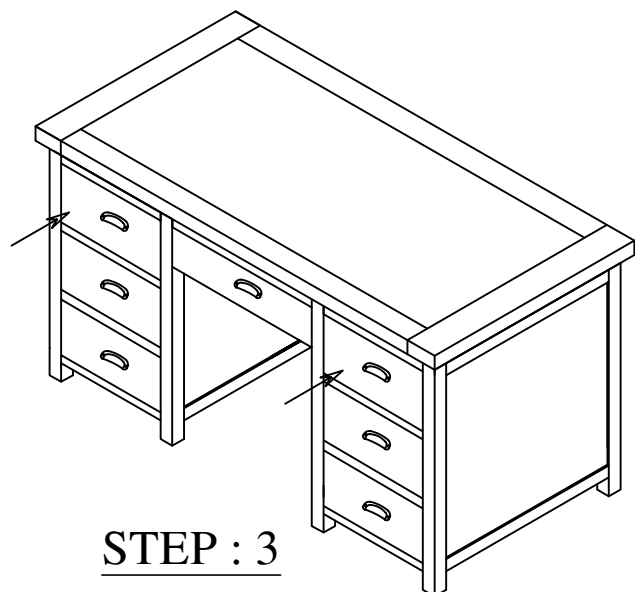
E: Bolts 30mm x 04



F: Allen Key x 01



STEP : 2



STEP : 3