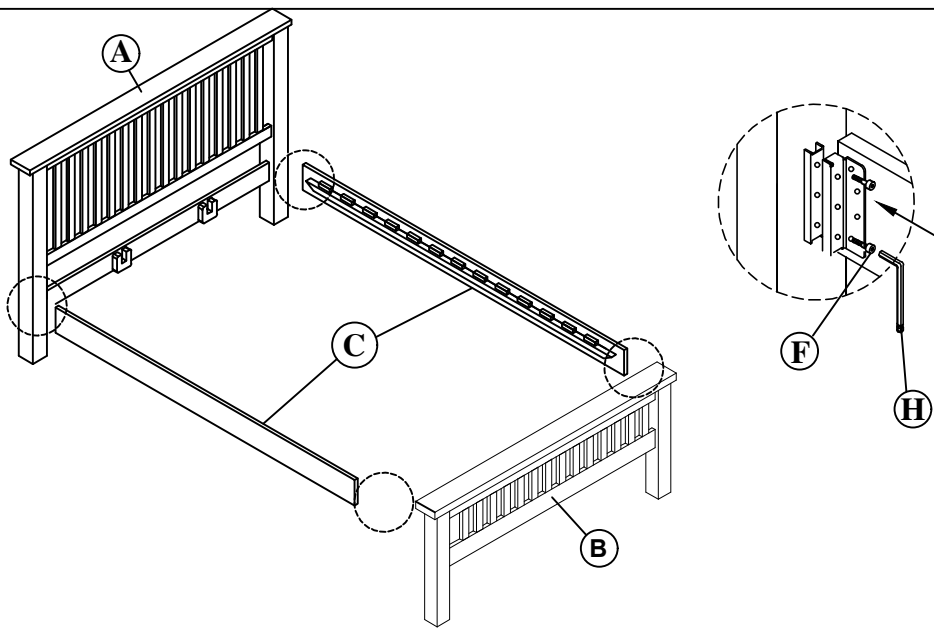


Assembly Instruction - 6ft Super King Size Bed

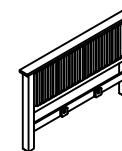
AGC - SKS01 / MT

Part List

1



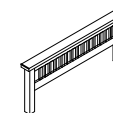
A



Head Board

1 PC

B



Foot Board

1 PC

C



Side Rail

2 PCS

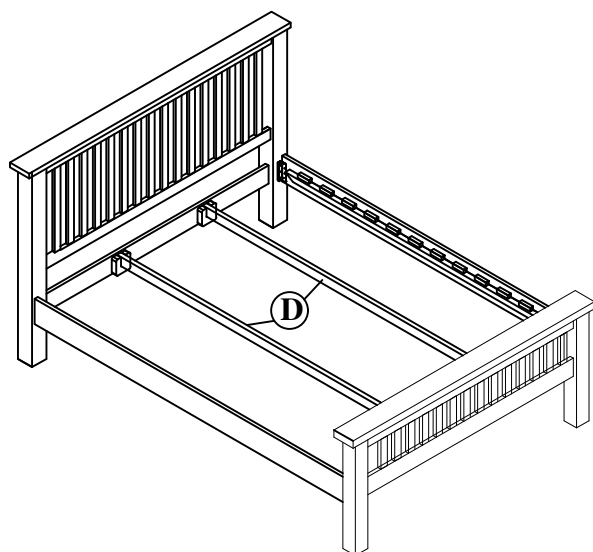
D



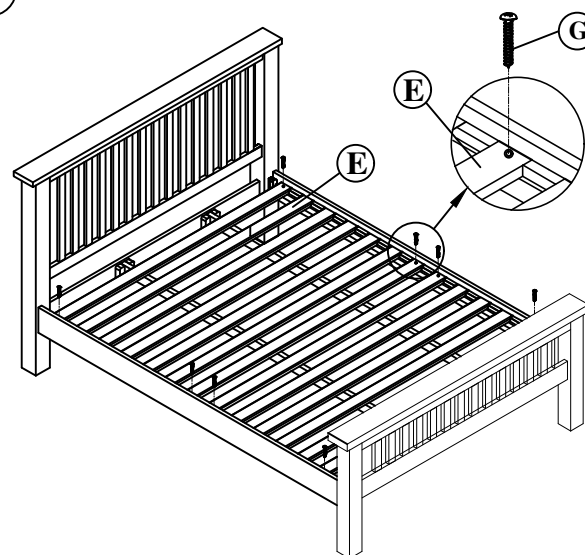
Metal Rail

2 PCS

2



3



E



Slats

14 PCS

F



Bolts

8 PCS

G



Screw 30 mm

8 PCS

H



Allen key

2 PCS