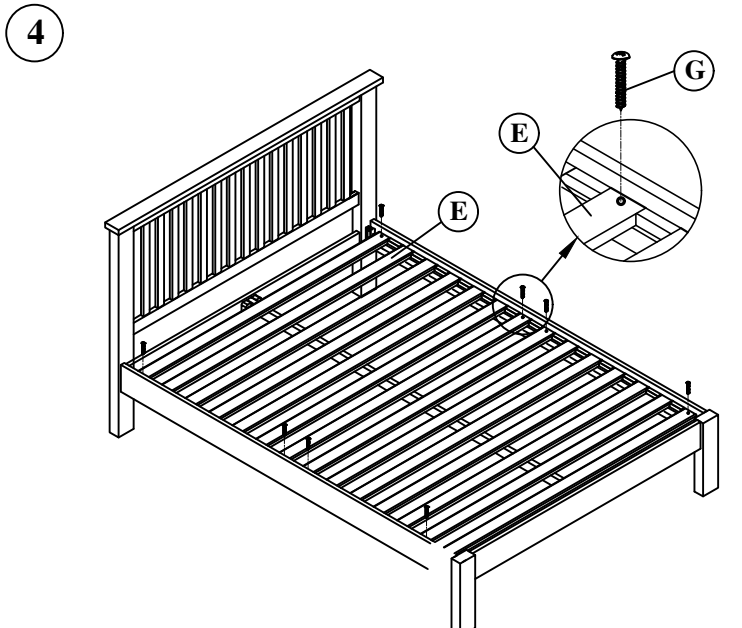
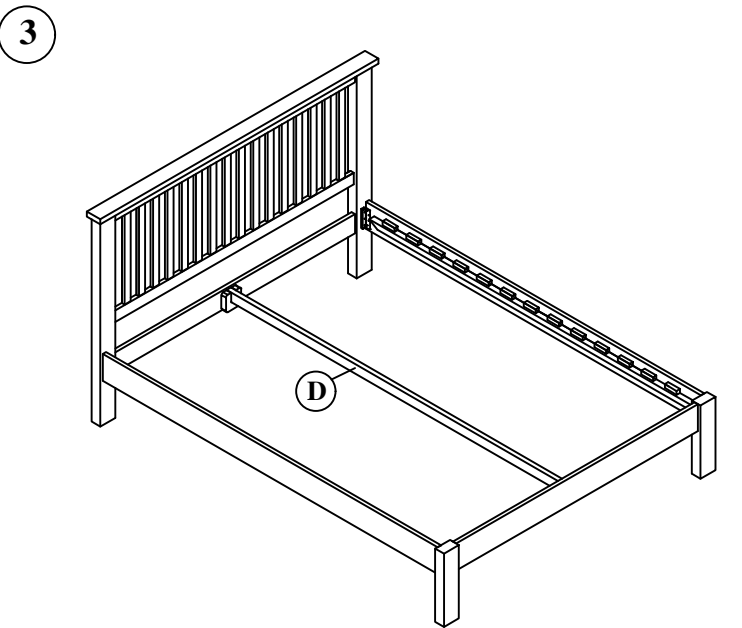
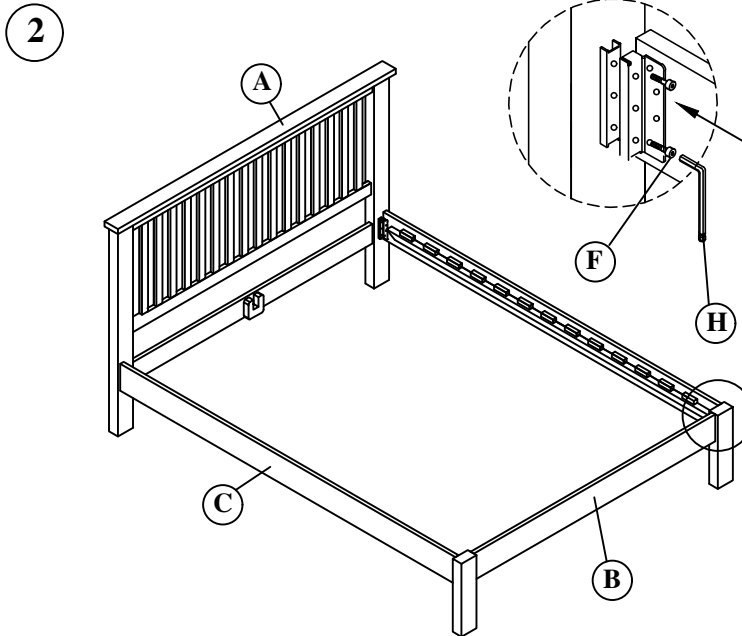
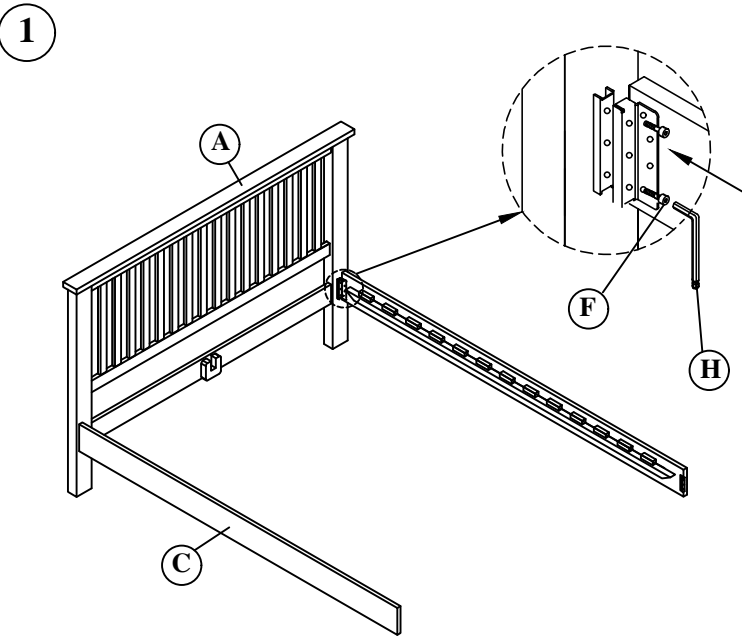
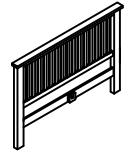
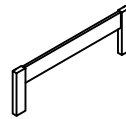



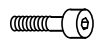




Assembly Instruction - 5" Bed

AGC - QB05 / MT

Part List



A		Head Board	1 PC
B		Foot Board	1 PC
C		Side Rail	2 PCS
D		Metal Rail	1 PC
E		Slats	14 PCS
F		Bolts	8 PCS
G		Screw 30 mm	8 PCS
H		Allen key	2 PCS