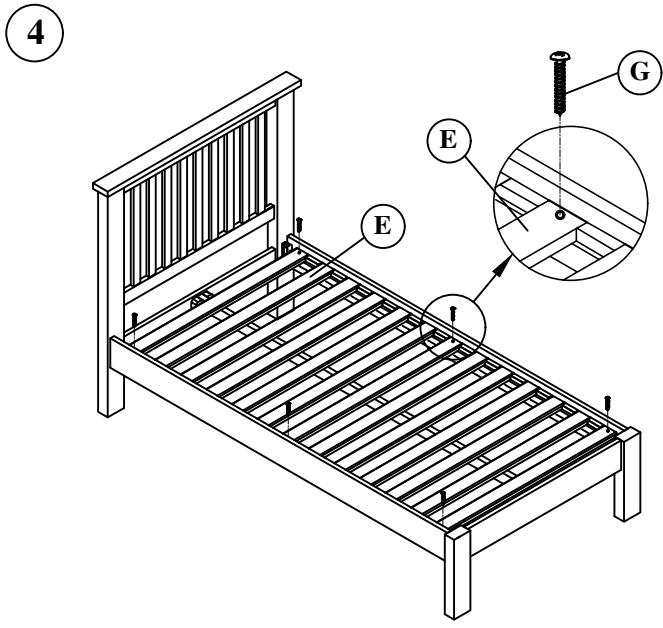
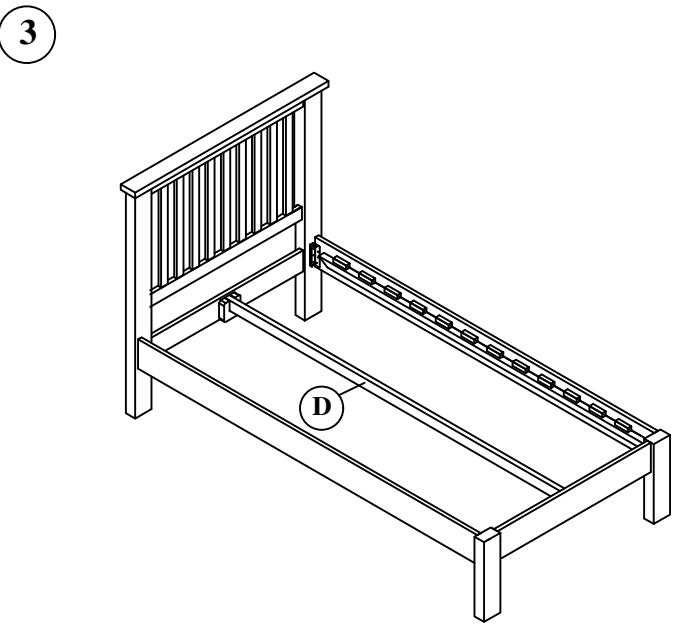
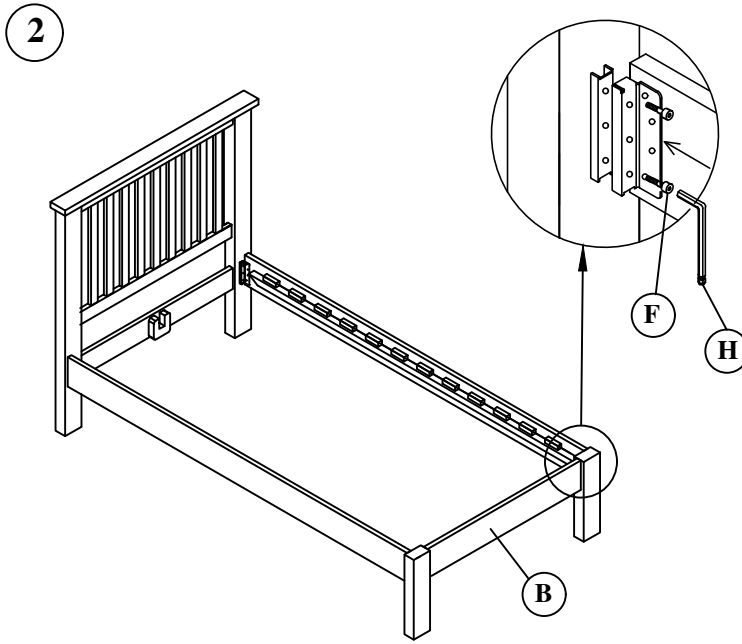
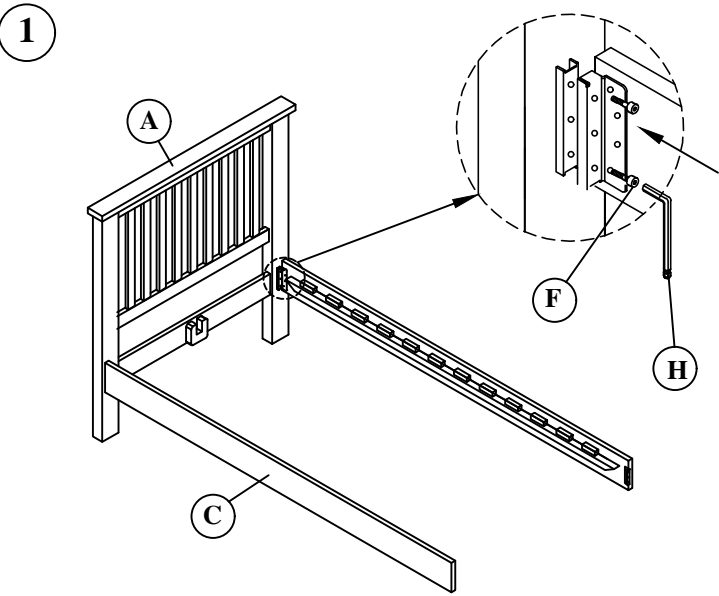
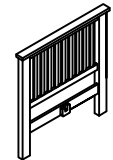
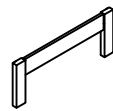



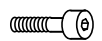




Assembly Instruction - 3" Bed

AGC - SB05MA / MT

Part List



A		Head Board	1 PC
B		Foot Board	1 PC
C		Side Rail	2 PCS
D		Metal Rail	1 PC
E		Slats	13 PCS
F		Bolts	8 PCS
G		Screw 30 mm	6 PCS
H		Allen key	2 PCS