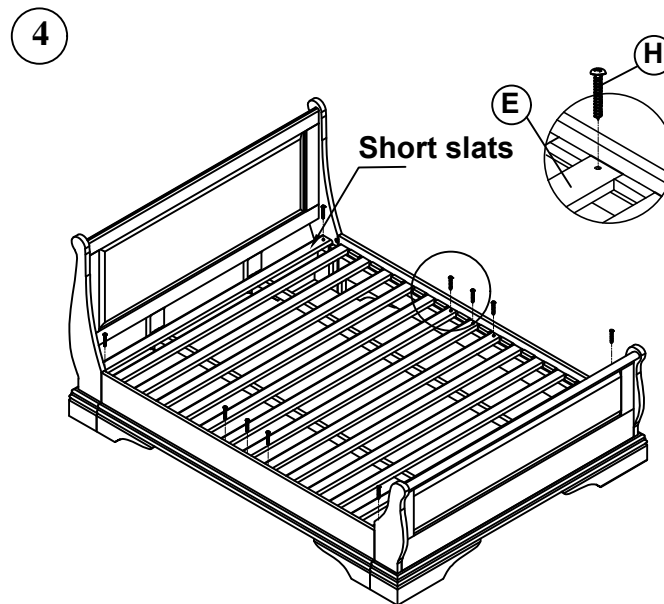
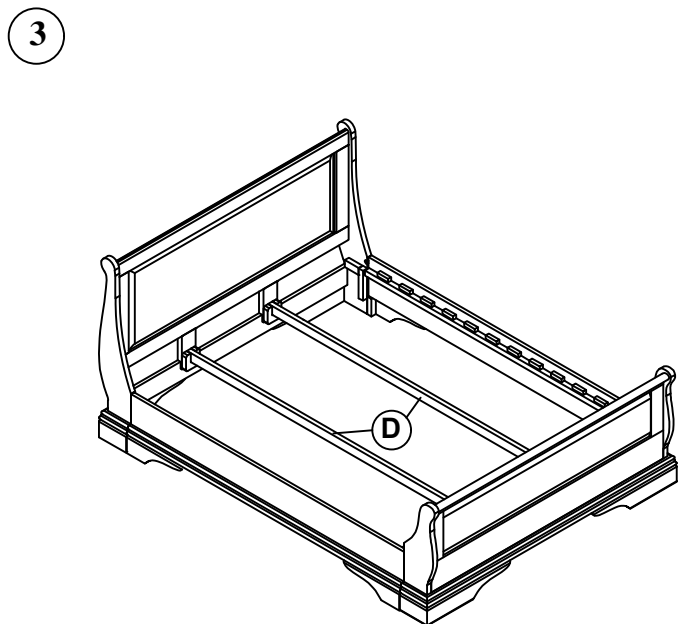
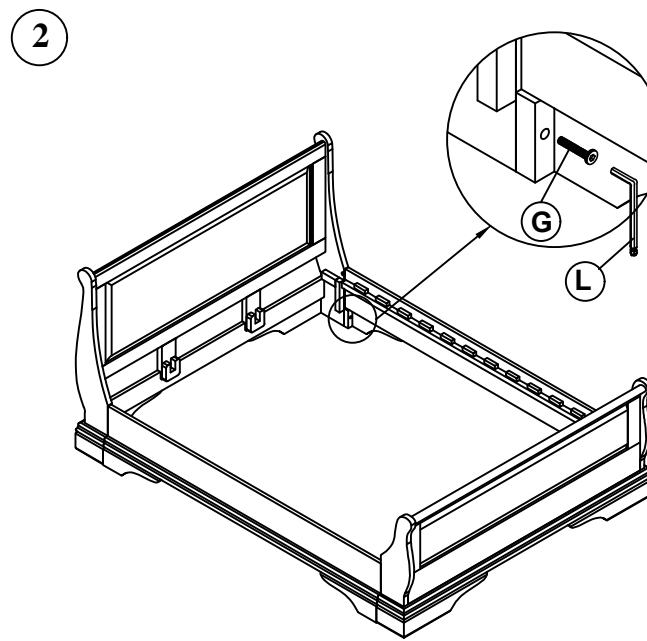
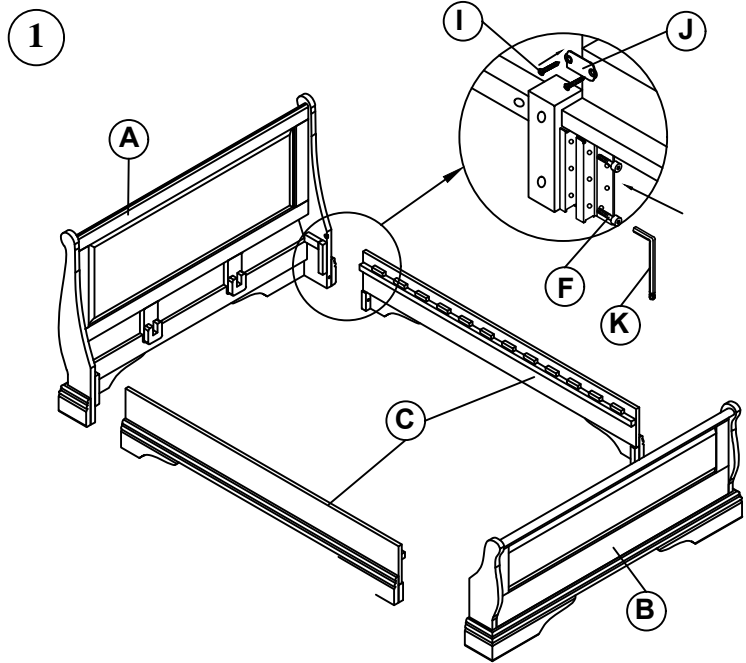

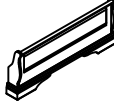





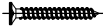
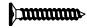





Assembly Instruction - 6' Super King Size Sleigh Bed FBO - SLSKS01 / 3P

Part List



A		Head Board	1 PC
B		Foot Board	1 PC
C		Side Rail	2 PCS
D		Metal Rail	1 PC
E		Slats	15 PCS
F		Bolts	8 PCS
G		Bolts 1/4 * 30 mm	4 PCS
H		Screw 30 mm	10 PCS
I		Screw 20 mm	8 PCS
J		Bracket	4 PCS
K		Allen key Ø5	2 PCS
L		Allen key Ø1	1 PC