

DIN-90/DIN-91/DIN-92/DIN-93/
DIN-94

Ax1



Back

Fx8



Plain cushion

Bx1



Seat

Gx8



Spring cushion

Cx2



Front legs

Hx1



M8

Allen key

Dx4



M8x55MM

Screw

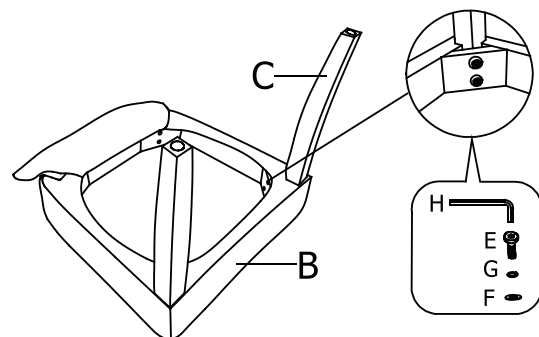
Ex4



M8x65MM

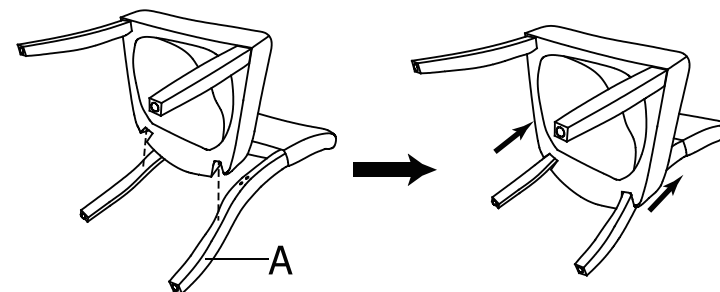
Screw

①



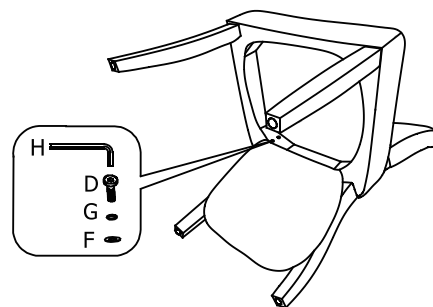
Put the screws in the holes, tighten the screws, but not too tight, 90% is ok.

②



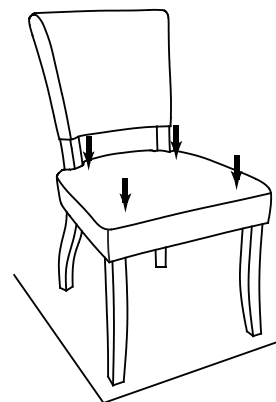
Insert the seat from the narrow part of the legs and push it up to the screw position.

③



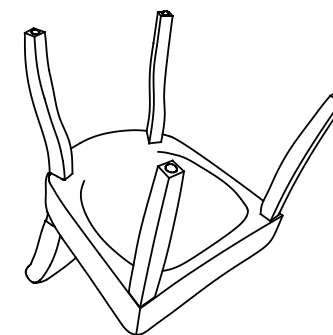
Put the screws in the holes, tighten the screws, but not too tight, 90% is ok.

④



Then adjust balance of this chair, tighten all the screws to 100%.

⑤



In the end, zip up the non-woven cloth underneath the seat.

WARNING:

DO NOT STAND ON THE CHAIR, DO NOT USE THIS CHAIR AS A STEP LADDER.

USE THIS PRODUCT ONLY FOR SEATING ONE PERSON AT A TIME.

DO NOT USE THIS CHAIR UNLESS ALL BOLTS, SCREWS AND KNOBS ARE FIRMLY SECURED.

AT LEAST EVERY 4 MONTHS, CHECK ALL BOLTS, SCREWS AND KNOBS TO BE SURE THEY ARE TIGHT.

IF PARTS ARE MISSING, BROKE, DAMAGED OR WORN, STOP USING THIS PRODUCT UNTIL YOU HAVE REPAIRED IT FULLY.

FAILURE TO FOLLOW THESE WARNINGS COULD RESULT IN SERIOUS INJURY.

PLEASE DO NOT USE KNIFE TO OPEN ANY PARTS OF THE BOX OR CHAIR.

CLEANING OF PU/LEATHER COVER - WIPE CLEAN WITH A SOFT CLOTH MOISTENED WITH WATER AND NEUTRAL DETERGENT.

DO NOT USE BLEACH, CHEMICAL OR BIOLOGICAL CLEANERS.