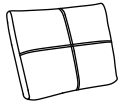


DO-9168

Ax1



Seat bag

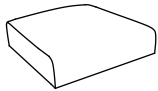
Gx4



M8x45MM

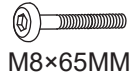
Screw

Bx1



Back bag

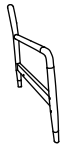
Hx4



M8x65MM

Screw

Cx1



Left leg

Ix1



Allen key

Dx1



Right leg

Jx8



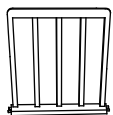
Screw cap

Ex1



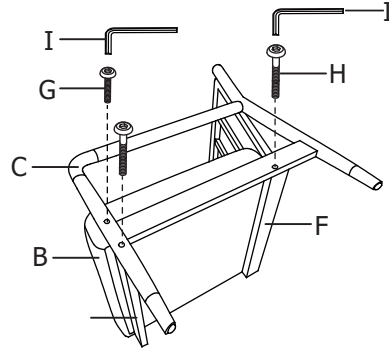
Wooden block

Fx1



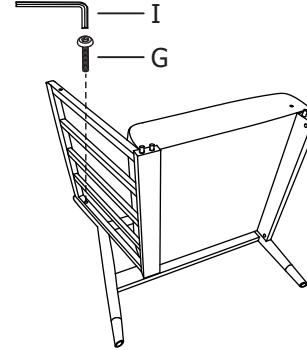
Backplane

①



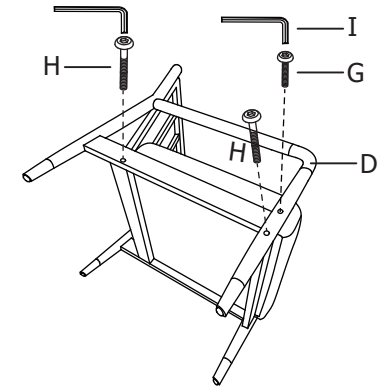
Put the screws in the holes,tighten the screws,but not too tight,80 is ok.

②



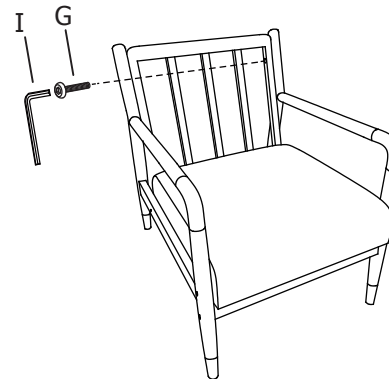
Put the screws in the holes,tighten the screws,but not too tight,80 is ok.

③



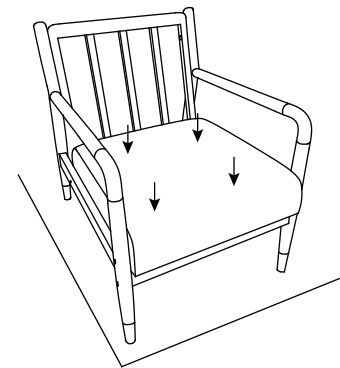
Put the screws in the holes,tighten the screws,but not too tight,80 is ok.

④



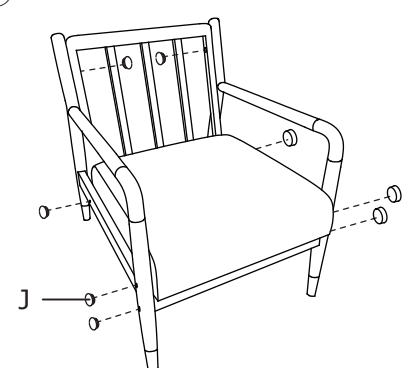
Put the screws in the holes,tighten the screws,but not too tight,80 is ok.

⑤

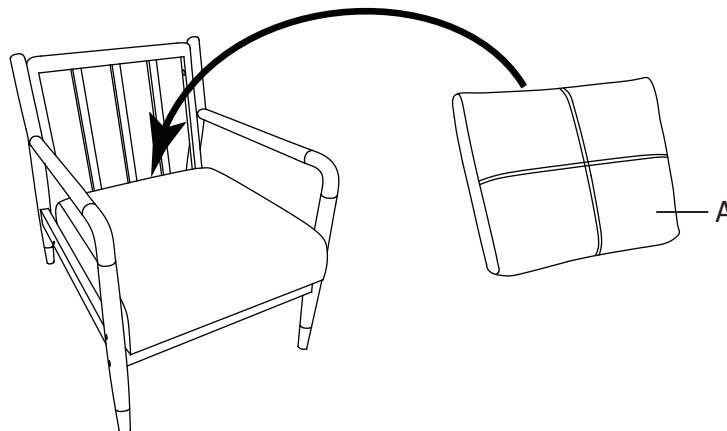


Then adjust balance of this chair, tighten all the screws to 100%.Cover all Screw cap.

⑥



⑦



⑧

