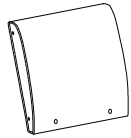


D-91

Ax1



Back

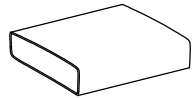
Gx6



M8*50MM

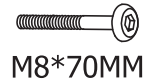
Screw

Bx1



Seat

Hx4



M8*70MM

Screw

Cx1



Right arm

Ix2



Plain cushion

Dx1



Left arm

Jx2



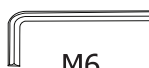
Spring cushion

Ex1



Throw pillow

Kx1



M6

Allen key

Fx1



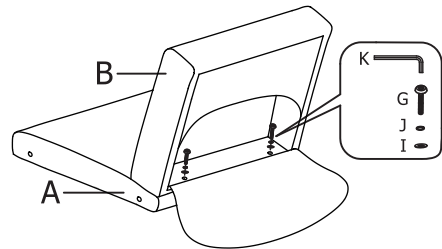
Back filler

Lx8



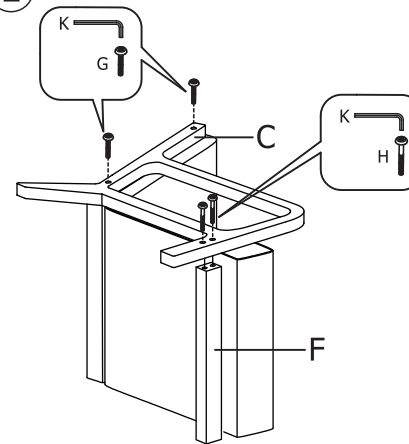
Wooden plug

①



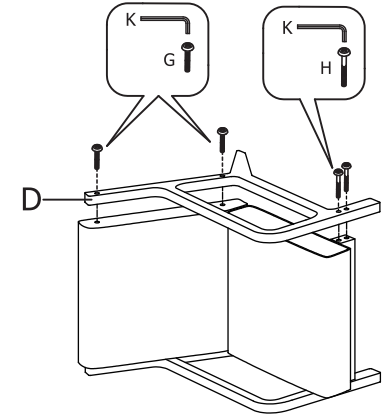
Put the screws in the holes, tighten the screws, but not too tight, 90% is ok.

②



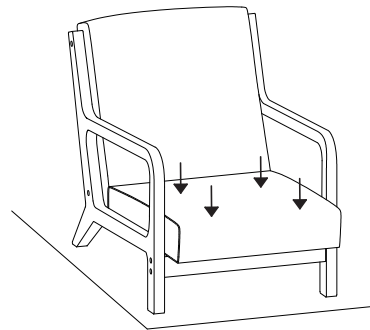
Put the screws in the holes, tighten the screws, but not too tight, 90% is ok.

③



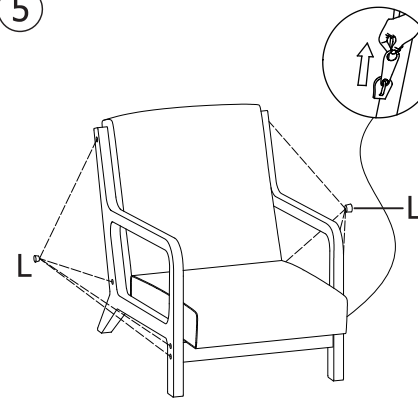
Put the screws in the holes, tighten the screws, but not too tight, 90% is ok.

④



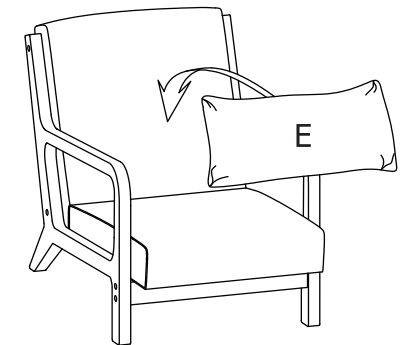
Then adjust balance of this chair, tighten all the screws to 100%.

⑤



In the end , zip up the non-wooven cloth underneath the seat.

⑥



WARNING:

DO NOT STAND ON THE CHAIR, DO NOT USE THIS CHAIR AS A STEP LADDER.

USE THIS PRODUCT ONLY FOR SEATING ONE PERSON AT A TIME.

DO NOT USE THIS CHAIR UNLESS ALL BOLTS, SCREWS AND KNOBS ARE FIRMLY SECURED.

AT LEAST EVERY 4 MONTHS, CHECK ALL BOLTS, SCREWS AND KNOBS TO BE SURE THEY ARE TIGHT.

IF PARTS ARE MISSING, BROKE, DAMAGED OR WORN, STOP USING THIS PRODUCT UNTIL YOU HAVE REPAIRED IT FULLY.

FAILURE TO FOLLOW THESE WARNINGS COULD RESULT IN SERIOUS INJURY.

PLEASE DO NOT USE KNIFE TO OPEN ANY PARTS OF THE BOX OR CHAIR.

CLEANING OF PU/LEATHER COVER - WIPE CLEAN WITH A SOFT CLOTH MOISTENED WITH WATER AND NEUTRAL DETERGENT.

DO NOT USE BLEACH,CHEMICAL OR BIOLOGICAL CLEANERS.