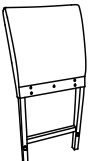
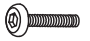

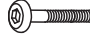


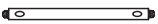





BAR80/BAR81/BAR82/
BAR83/BAR84

Ax1  **Gx5** 
Back Screw
M8x55MM

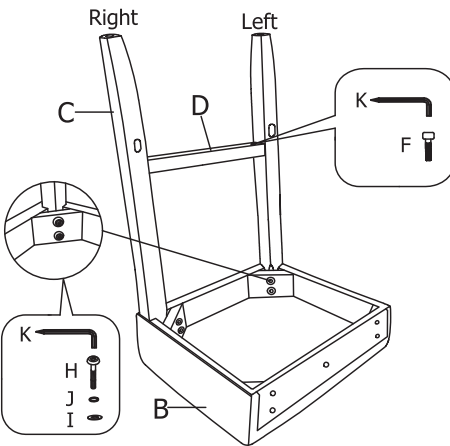
Bx1  **Hx4** 
Seat Screw
M8x65MM

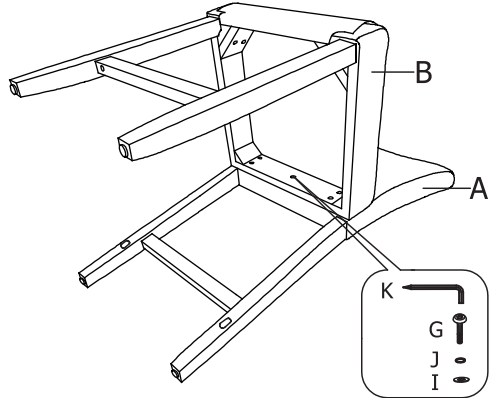
Cx2  **Ix9** 
Left Right Plain cushion
Front legs

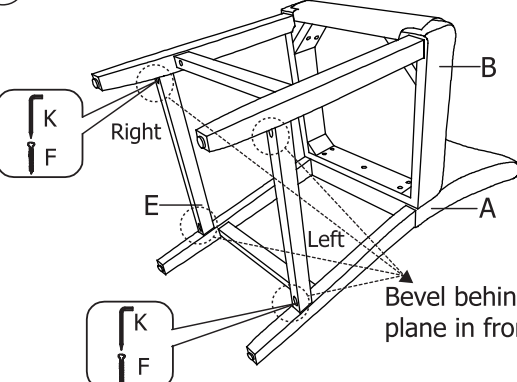
Dx1  **Jx9** 
Front rail Shells pad

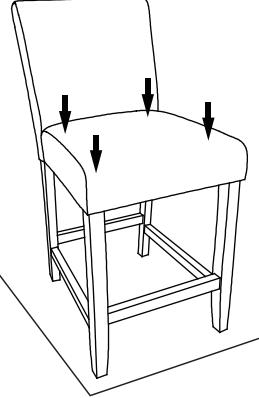
Ex2  **Kx1** 
Left Right M6
Side rails Allen key

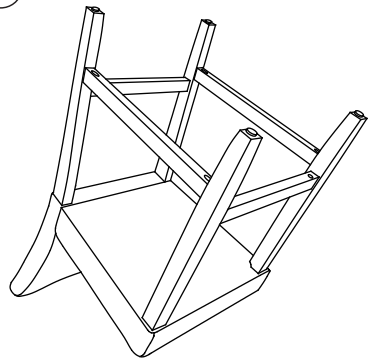
Fx6 
Screw
Ø4x45MM

① 
Put the screws in the holes, tighten the screws, but not too tight, 90% is ok.

② 
Put the screws in the holes, tighten the screws, but not too tight, 90% is ok.

③ 
Bevel behind, plane in front
Put the screws in the holes, tighten the screws, but not too tight, 90% is ok.

④ 
Then adjust balance of this chair, tighten all the screws to 100%.

⑤ 
Finally, stick the non-woven cover underneath the seat.

WARNING:
DO NOT STAND ON THE CHAIR, DO NOT USE THIS CHAIR AS A STEP LADDER.
USE THIS PRODUCT ONLY FOR SEATING ONE PERSON AT A TIME.
DO NOT USE THIS CHAIR UNLESS ALL BOLTS, SCREWS AND KNOBS ARE FIRMLY SECURED.
AT LEAST EVERY 4 MONTHS, CHECK ALL BOLTS, SCREWS AND KNOBS TO BE SURE THEY ARE TIGHT.
IF PARTS ARE MISSING, BROKE, DAMAGED OR WORN, STOP USING THIS PRODUCT UNTIL YOU HAVE REPAIRED IT FULLY.
FAILURE TO FOLLOW THESE WARNINGS COULD RESULT IN SERIOUS INJURY.
PLEASE DO NOT USE KNIFE TO OPEN ANY PARTS OF THE BOX OR CHAIR.
CLEANING OF PU/LEATHER COVER - WIPE CLEAN WITH A SOFT CLOTH MOISTENED WITH WATER AND NEUTRAL DETERGENT.
DO NOT USE BLEACH, CHEMICAL OR BIOLOGICAL CLEANERS.