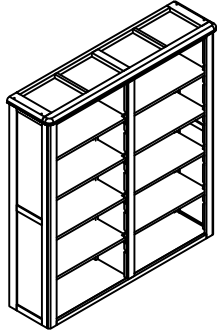
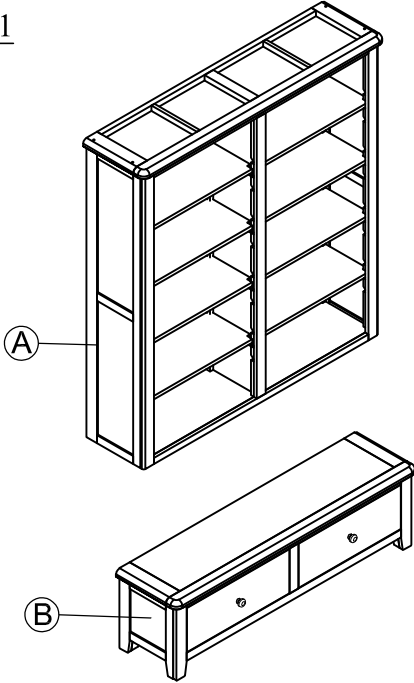
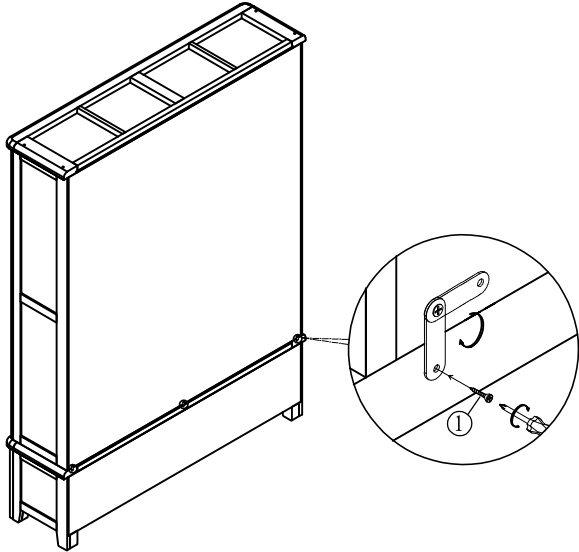
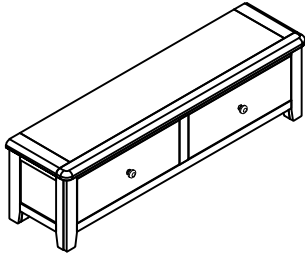



ASSEMBLY INSTRUCTION GRAND DOUBLE BOOKCASE

No	Name of Component	Q.ty	Step 1	Step 2
(A)	 <p>Top</p>	1	<p><u>Step 1</u></p> 	<p><u>Step 2</u></p> 
(B)	 <p>Bottom</p>	1		
No	Name of Hardware	Q.ty	<u>Step 3</u>	
(1)	Screws Ø3x15 	3	