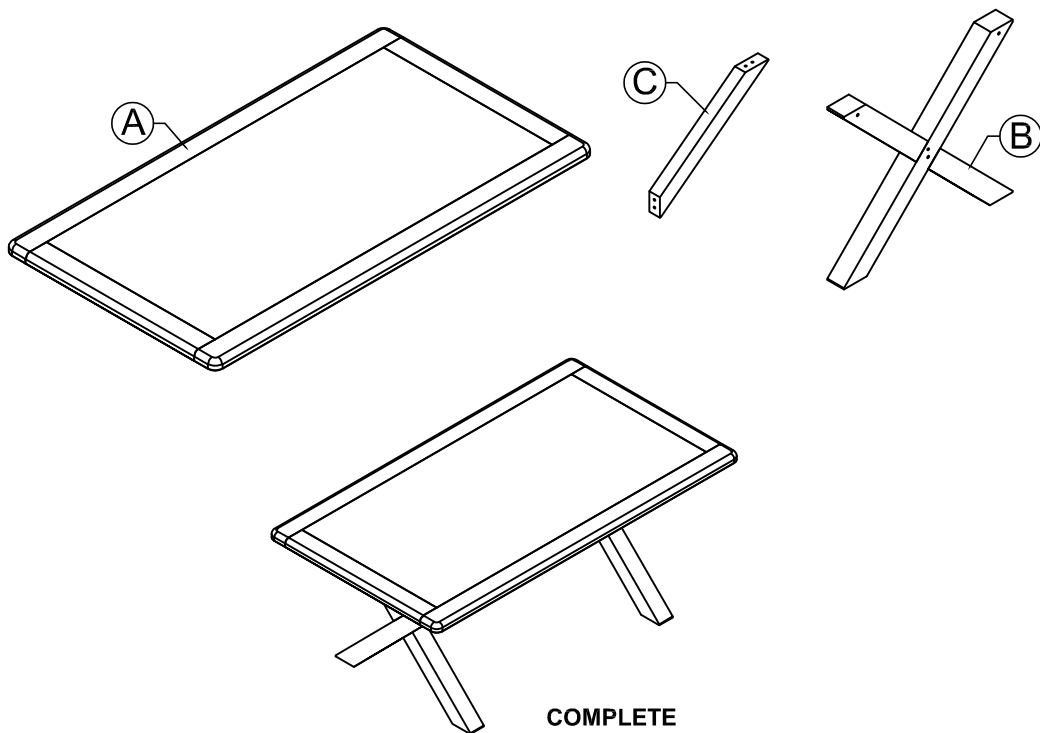


# ASSEMBLY INSTRUCTION



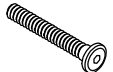


## 2.2M CROSS LEG DINING TABLE

### PART LIST

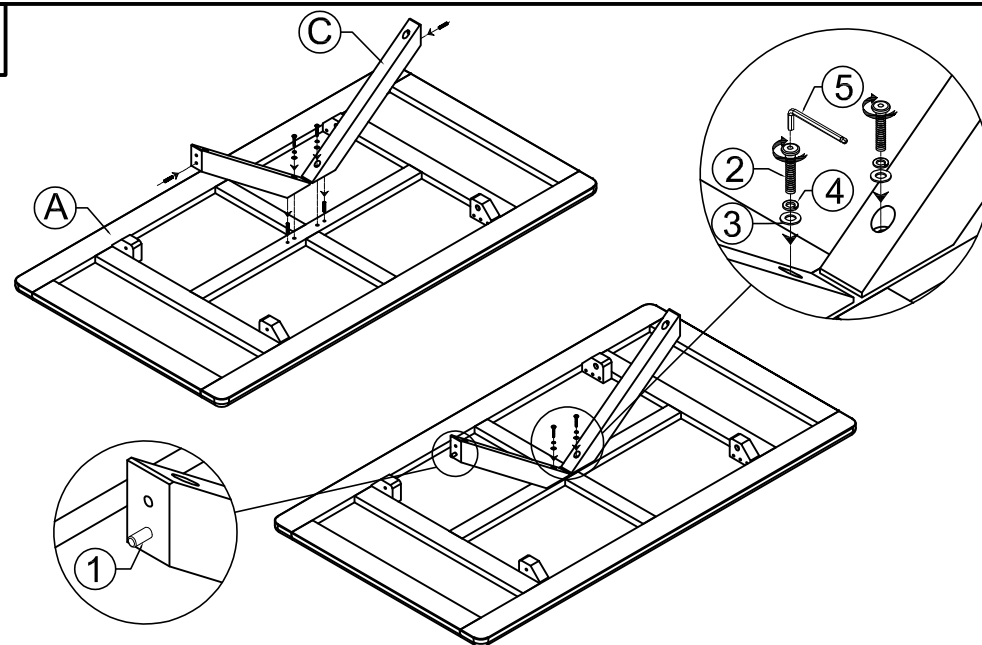
No	Description	QTY	No	Description	QTY
<b>A</b>	TABLE TOP	1	<b>C</b>	TOP CONECTOR	2
<b>B</b>	LEG	2			



### HARDWARE LIST

No	Description	QTY	No	Description	QTY
<b>1</b>	Dowel - Ø10x40 	4	<b>4</b>	Lock Washer M8 	8
<b>2</b>	Bolt M8x50 	8	<b>5</b>	Allen Key - 4 	1
<b>3</b>	Flat Washer M8/M19 	8			

**1**



**2**

