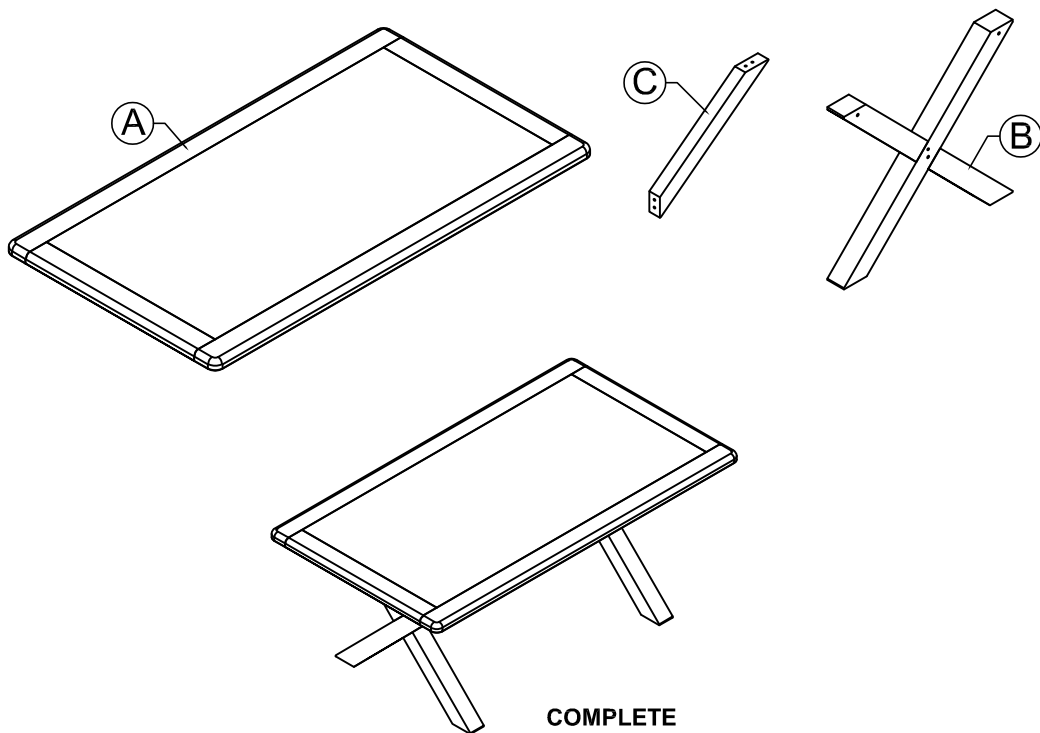


ASSEMBLY INSTRUCTION






1.8M CROSS LEG DINING TABLE

PART LIST

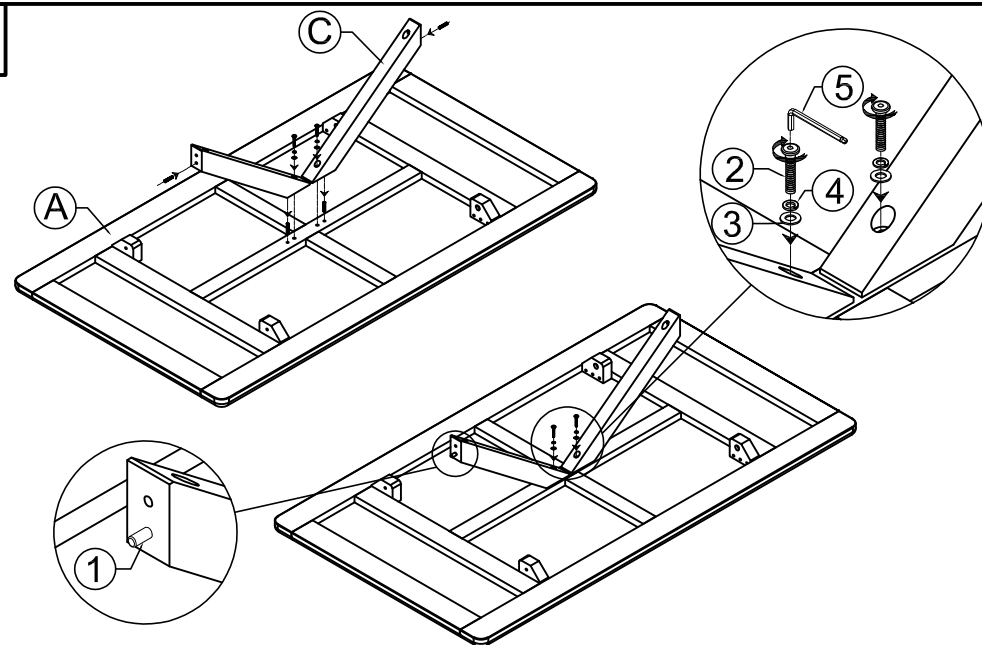
No	Description	QTY	No	Description	QTY
A	TABLE TOP	1	C	TOP CONECTOR	2
B	LEG	2			



HARDWARE LIST

No	Description	QTY	No	Description	QTY
1	Dowel - Ø10x40 	4	4	Lock Washer M8 	8
2	Bolt M8x50 	8	5	Allen Key - 4 	1
3	Flat Washer M8/M19 	8			

1



2

