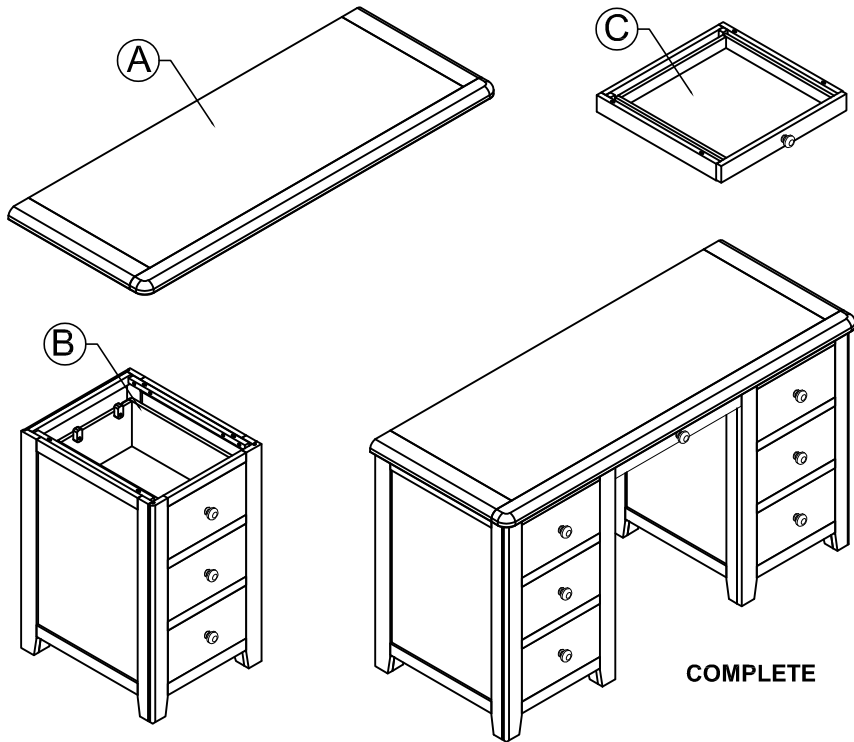


ASSEMBLY INSTRUCTION






TWIN PEDESTAL DESK

PART LIST

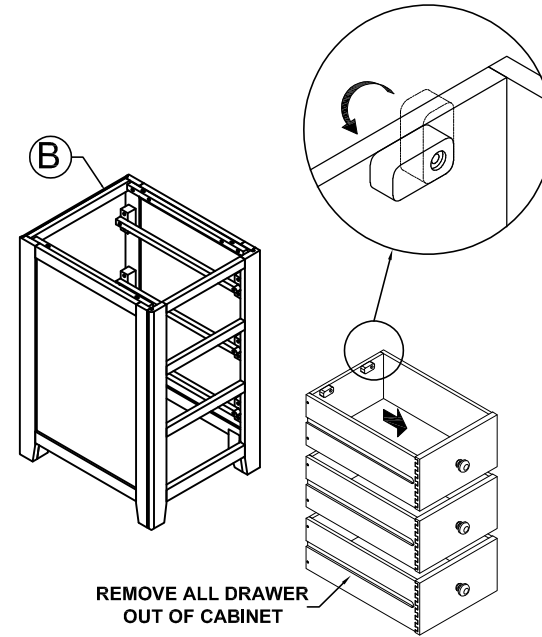
No	Description	QTY	No	Description	QTY
A	TOP	1	C	DRAWER	1
B	CABINET	2			



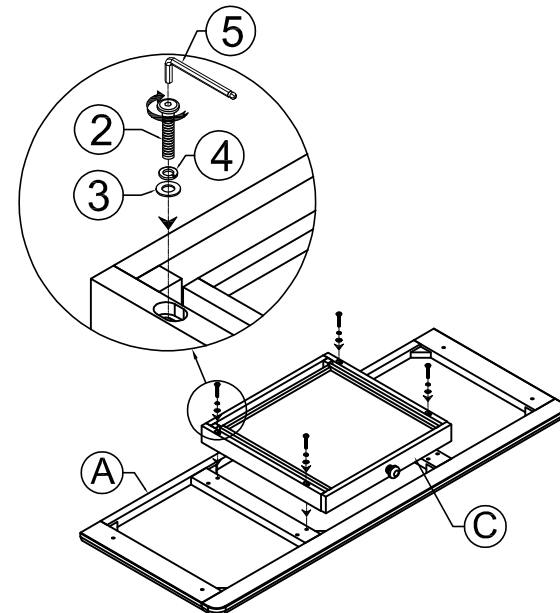
HARDWARE LIST

No	Description	QTY	No	Description	QTY
1	Bolt M6x30 	8	4	Lock Washer M6 	12
2	Bolt M6x60 	4	5	Allen Key - 4 	1
3	Flat Washer M6/M14 	12			

1



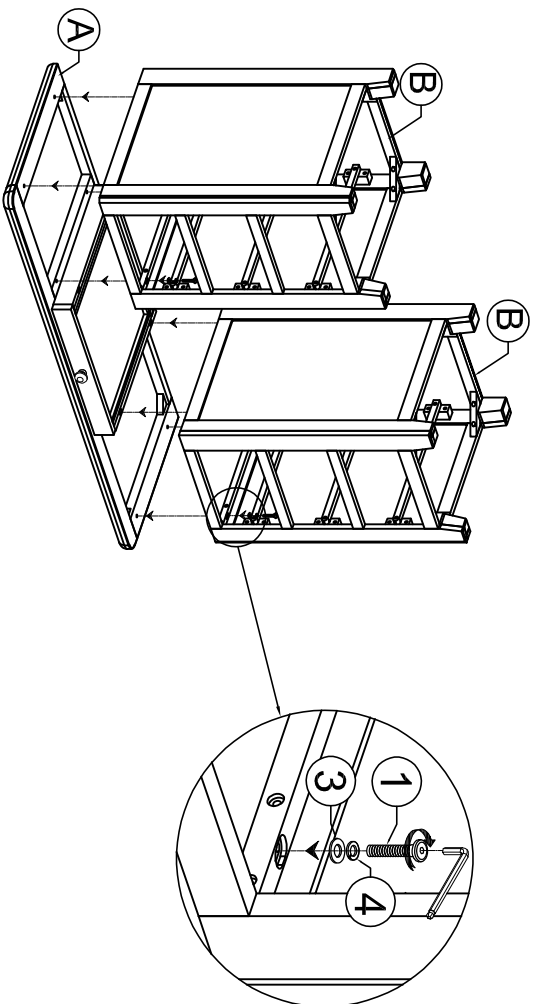
2



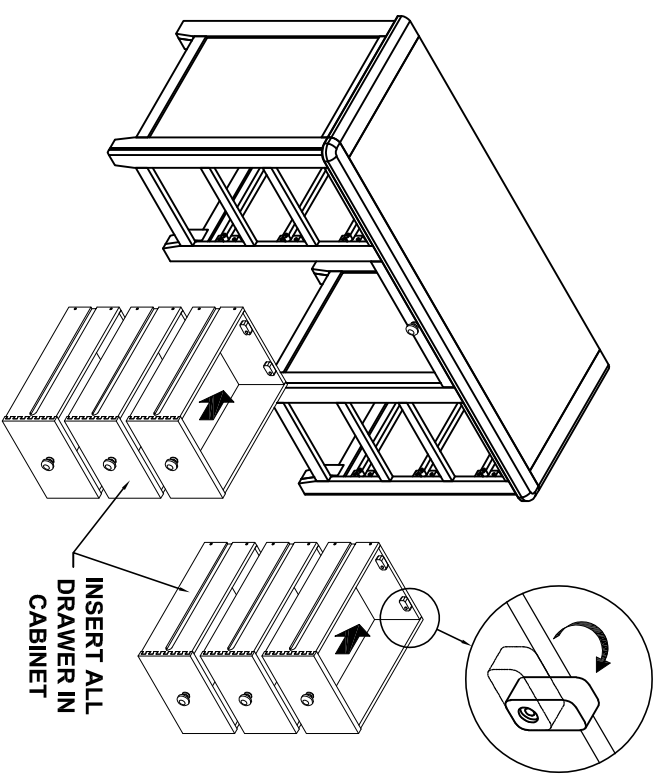
ASSEMBLY INSTRUCTION

TWIN PEDESTAL DESK

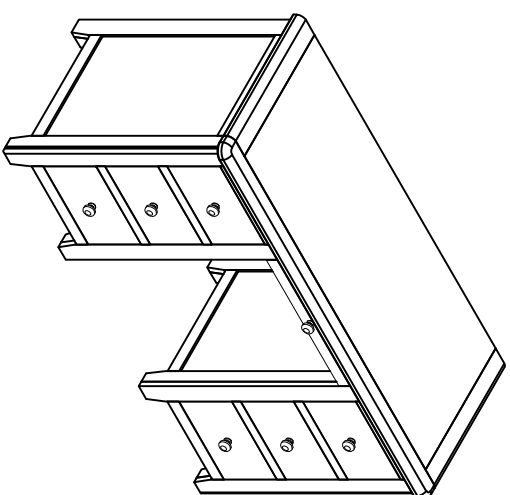
3



4



5



COMPLETE