







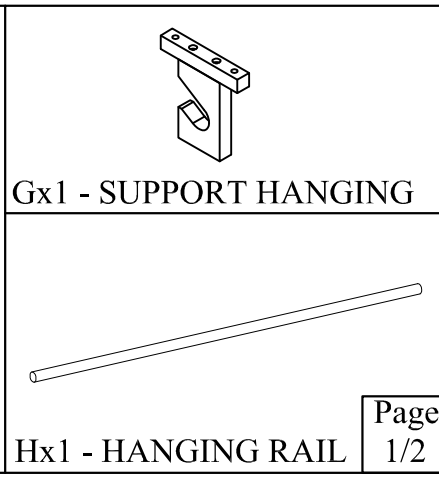
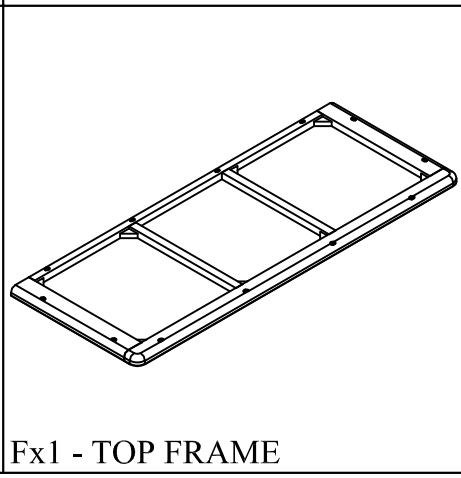
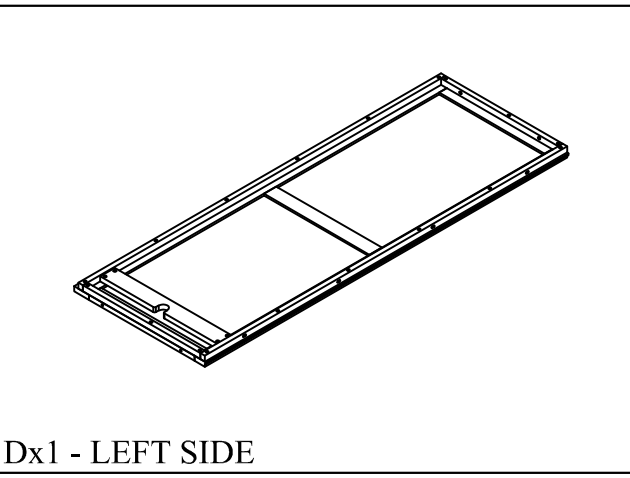
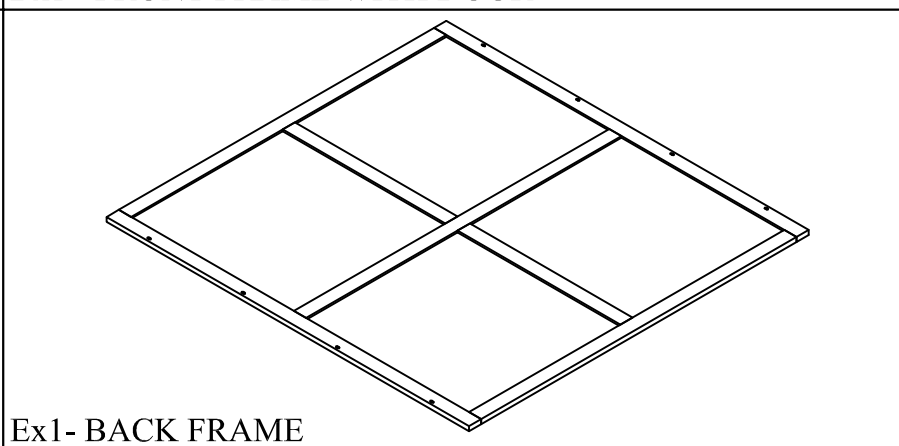
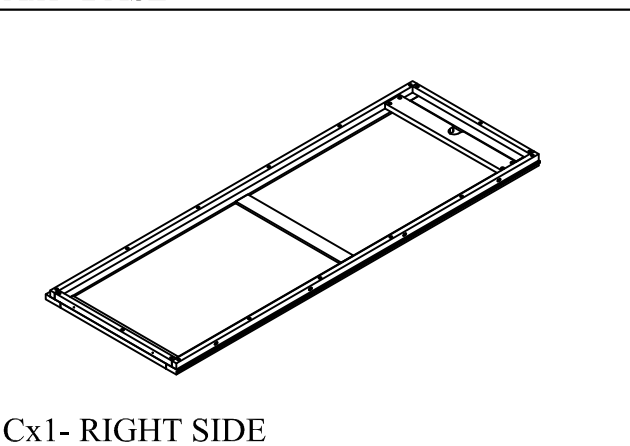
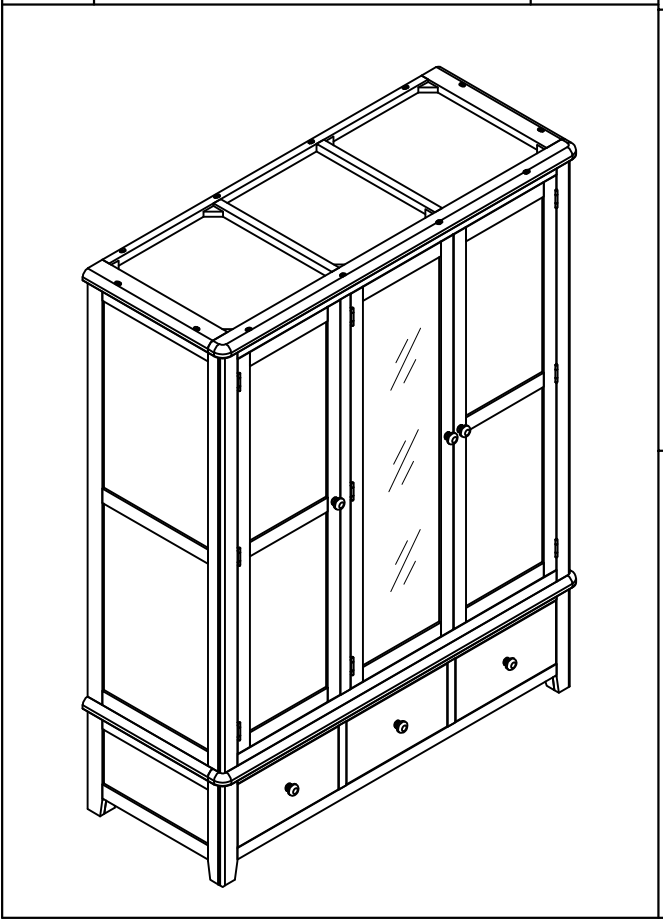
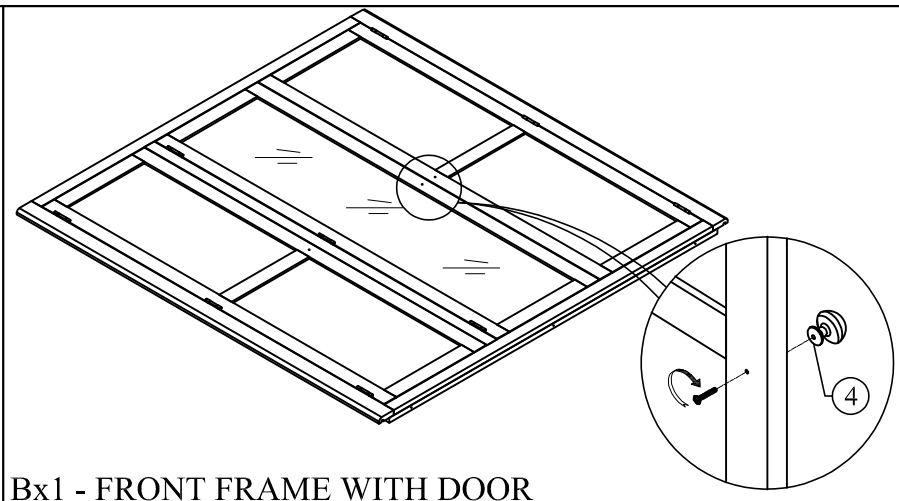
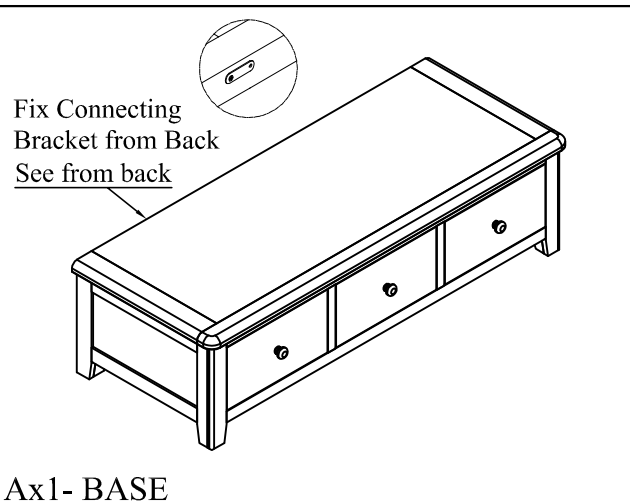
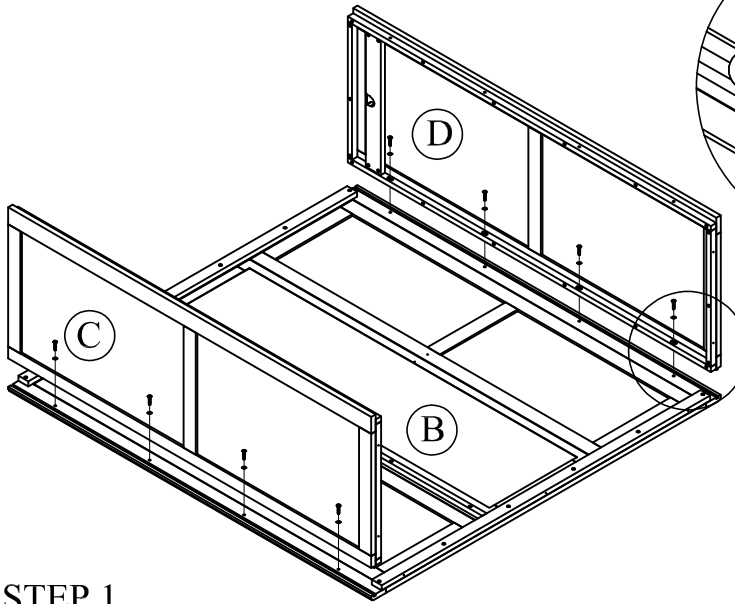


# ASSEMBLY INSTRUCTION

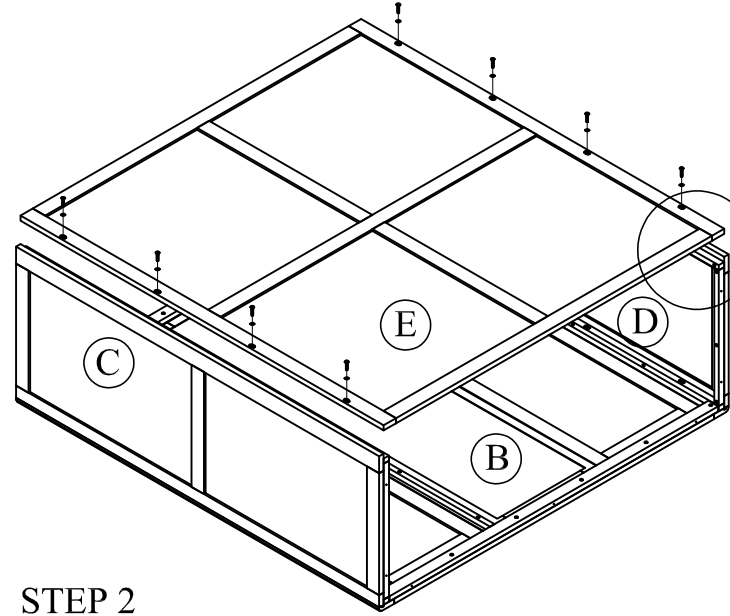
## TRIPLE WARDROBE WITH MIRRORED DOOR

No	LIST OF HARDWARE	Q.TY(pcs)
1	Bolts (M6x30mm) 	18
2	Bolts (M6x40mm) 	12
3	Allent keys 	1
4	Flat Washers (M6x14mm) 	30
5	Handle with bolts 	3 set
6	Screw (M4x30) 	7
7	Screw (M3x15) 	2
8	Dowel (Ø10x30) 	1

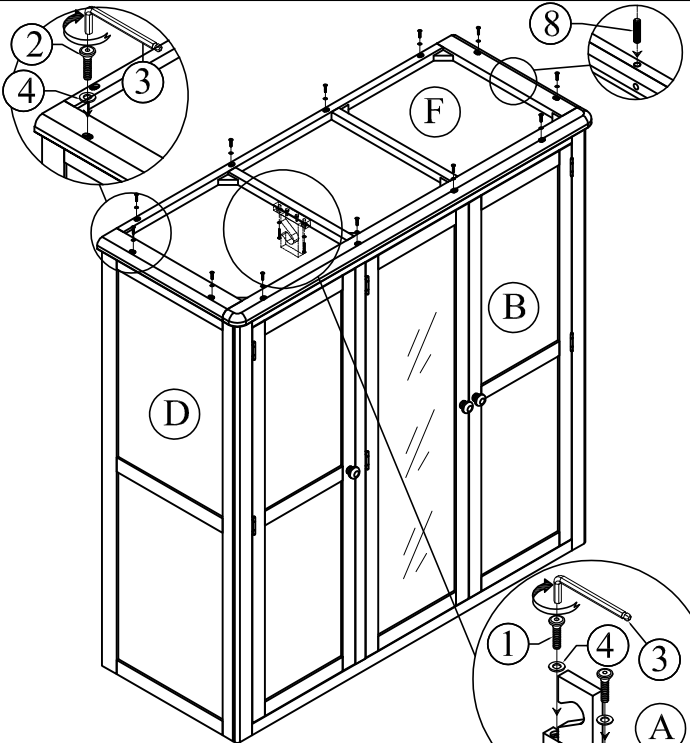




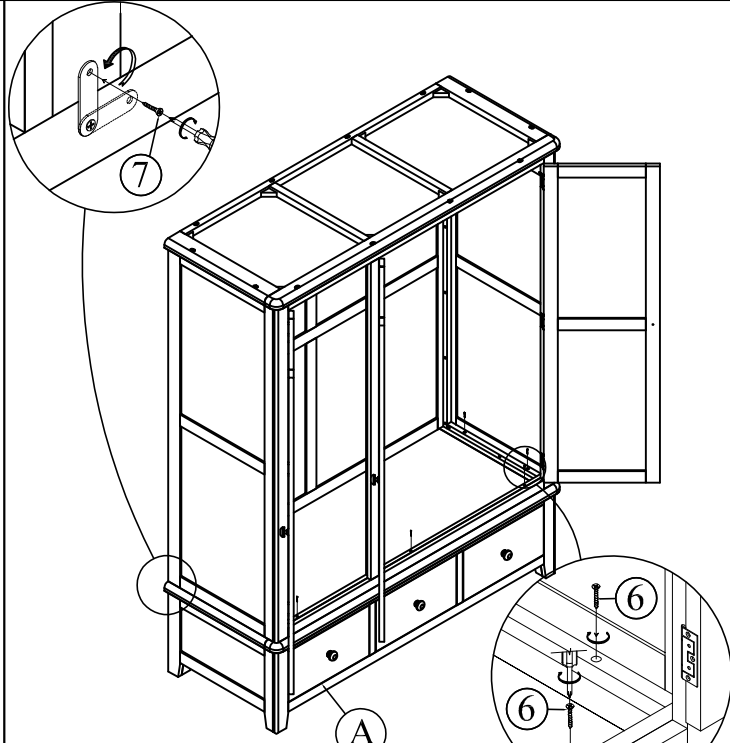
STEP 1



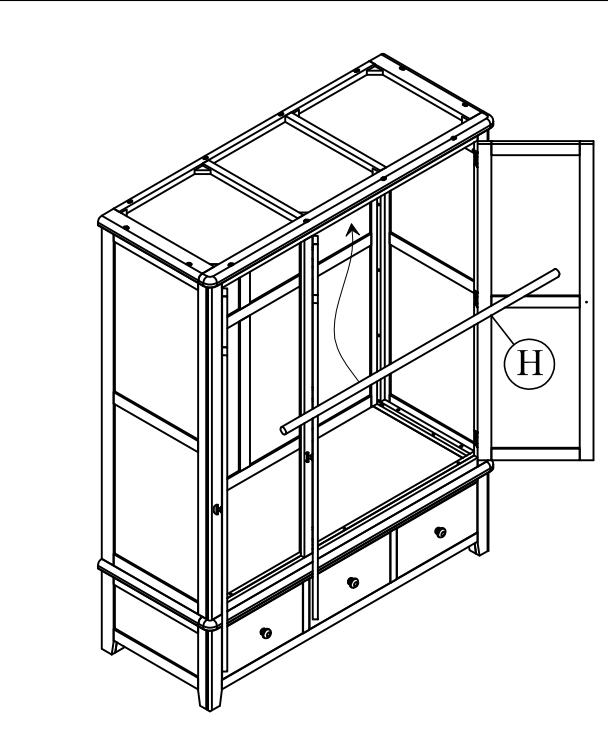
STEP 2



STEP 3



STEP 4



STEP 5