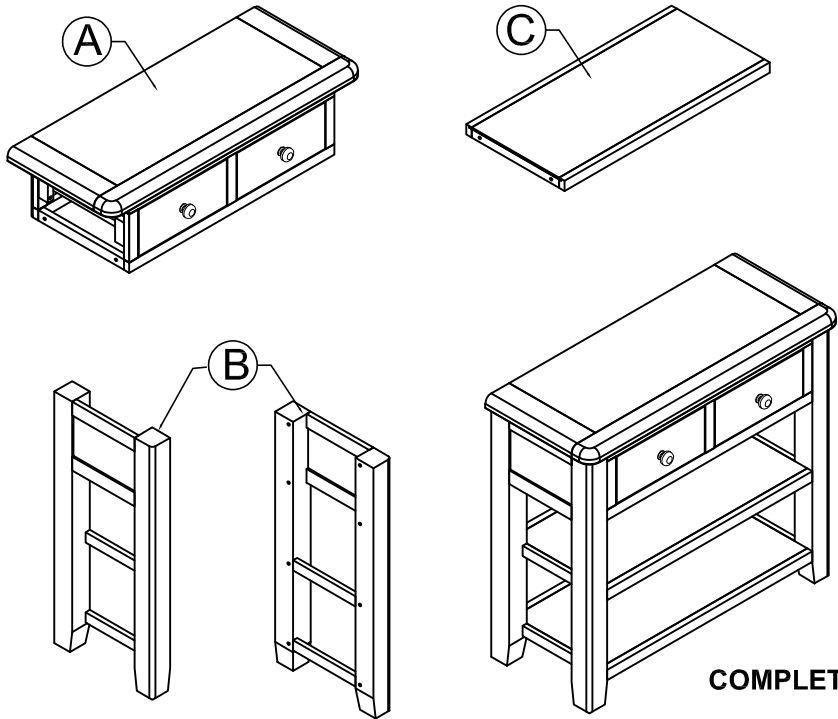


ASSEMBLY INSTRUCTION

CONSOLE TABLE WITH 2 DRAWERS

PART LIST

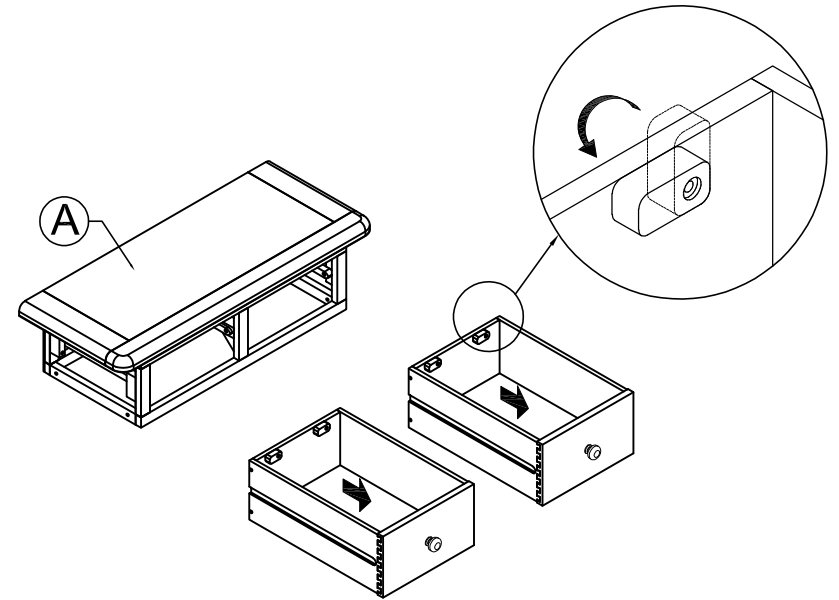
No	Description	QTY	No	Description	QTY
A	CABINET	1	C	SHELVES	2
B	SIDE	2			



HARDWARE LIST

No	Description	QTY	No	Description	QTY
1	Bolt M6x40	16	3	Lock Washer M6	16
2	Flat Washer M6/M19	16	4	Allen Key - 4	1

1



2

