




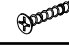


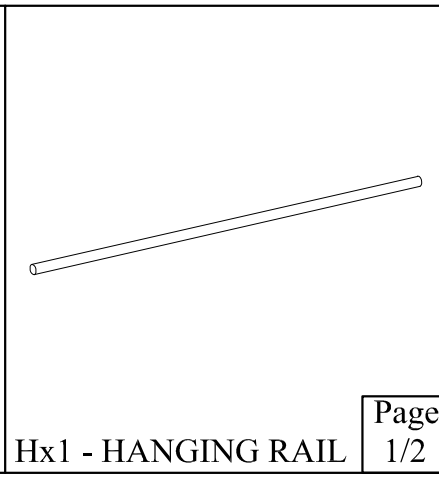
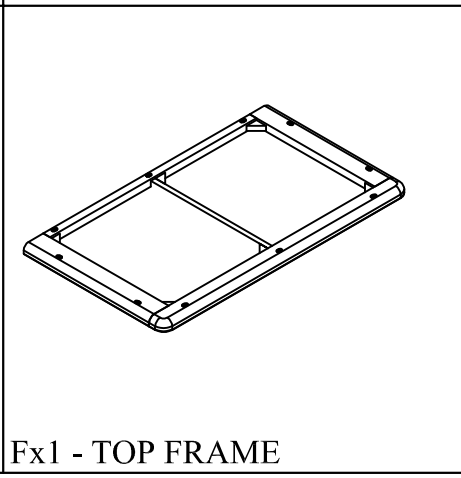
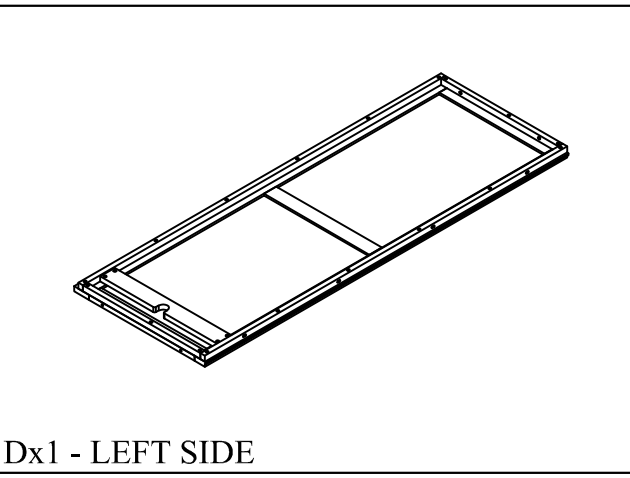
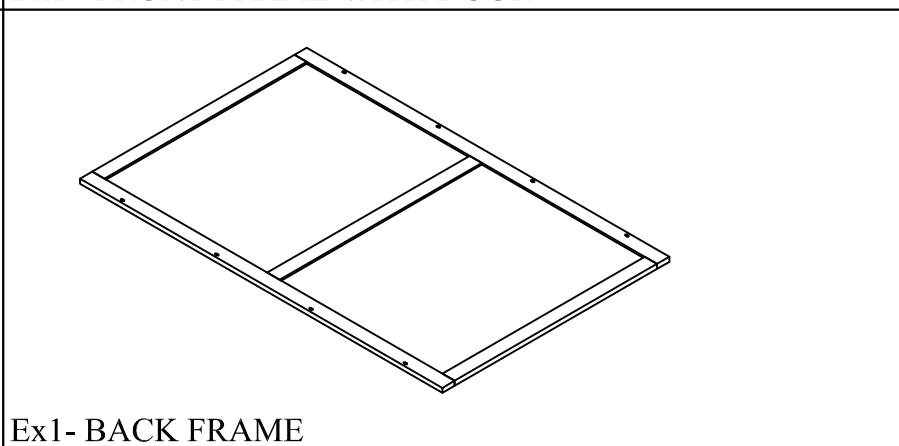
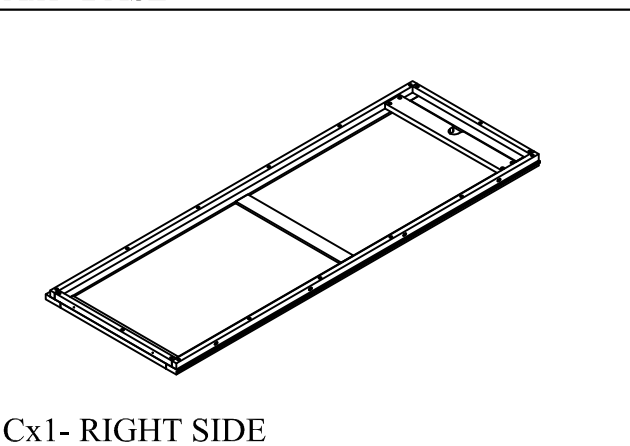
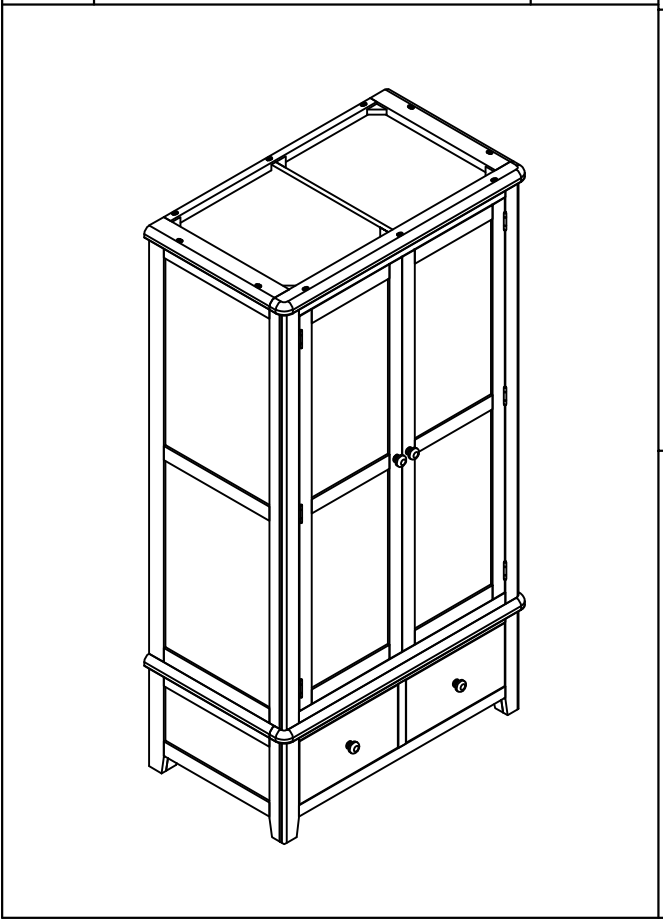
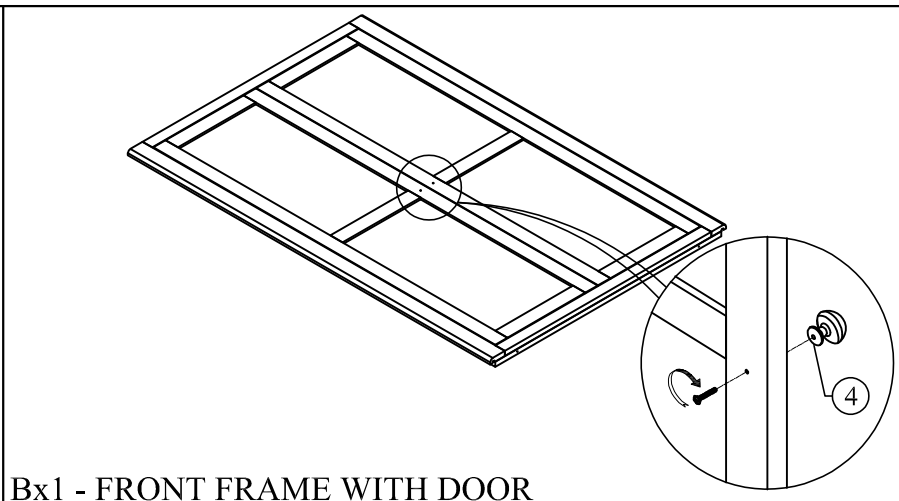
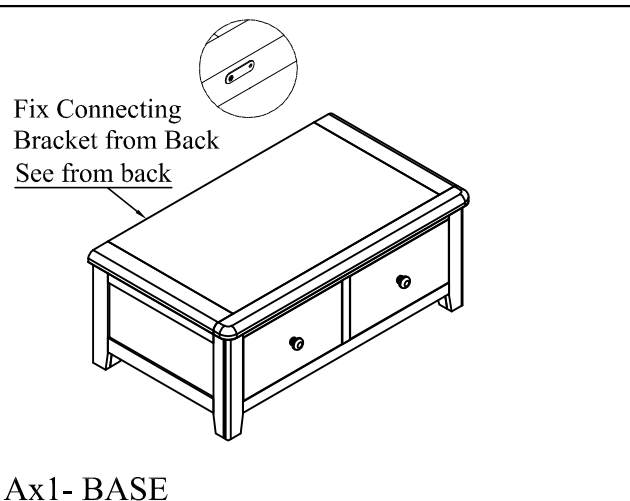
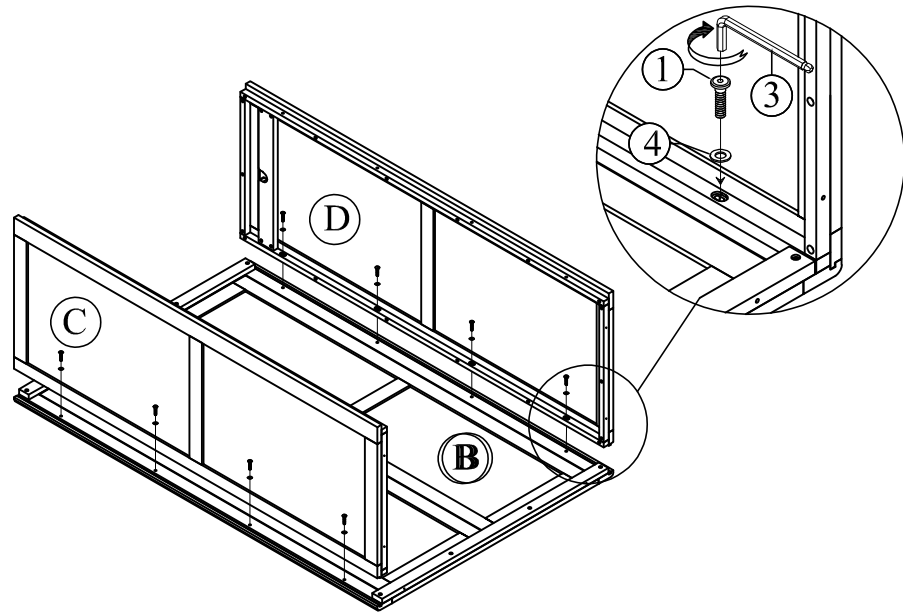


ASSEMBLY INSTRUCTION

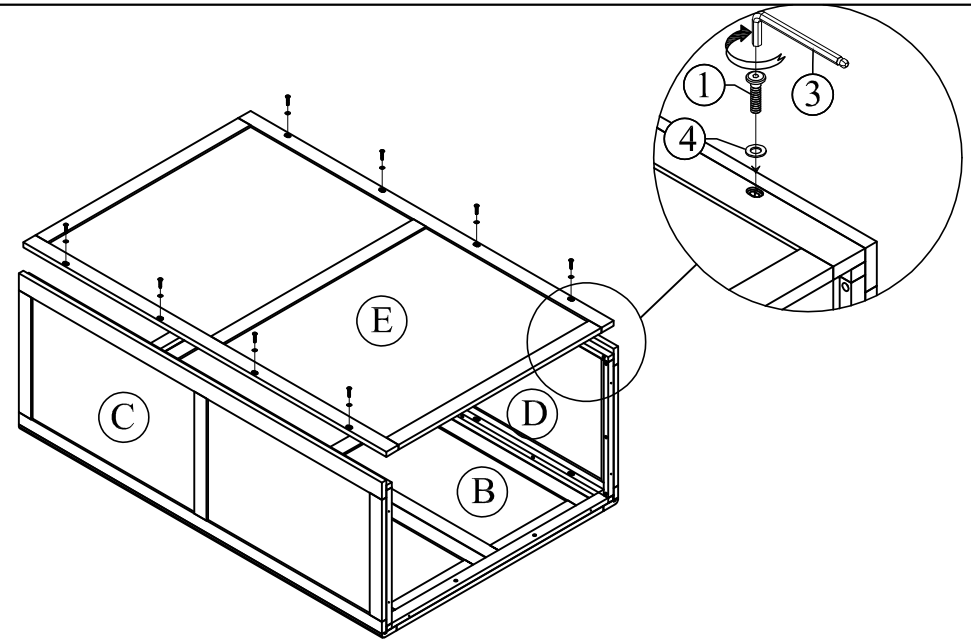
DOUBLE WARDROBE WITH 2 DRAWERS

No	LIST OF HARDWARE	Q.TY(pcs)
1	Bolts (M6x30mm) 	16
2	Bolts (M6x40mm) 	10
3	Allent keys 	1
4	Flat Washers (M6x14mm) 	26
5	Handle with bolts 	2 set
6	Screw (M4x30) 	6
7	Screw (M3x15) 	2
8	Dowel (Ø10x30) 	1

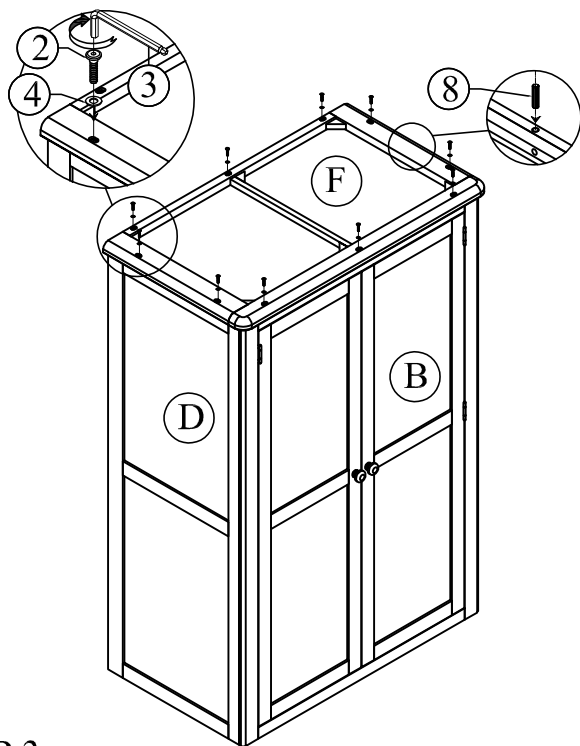




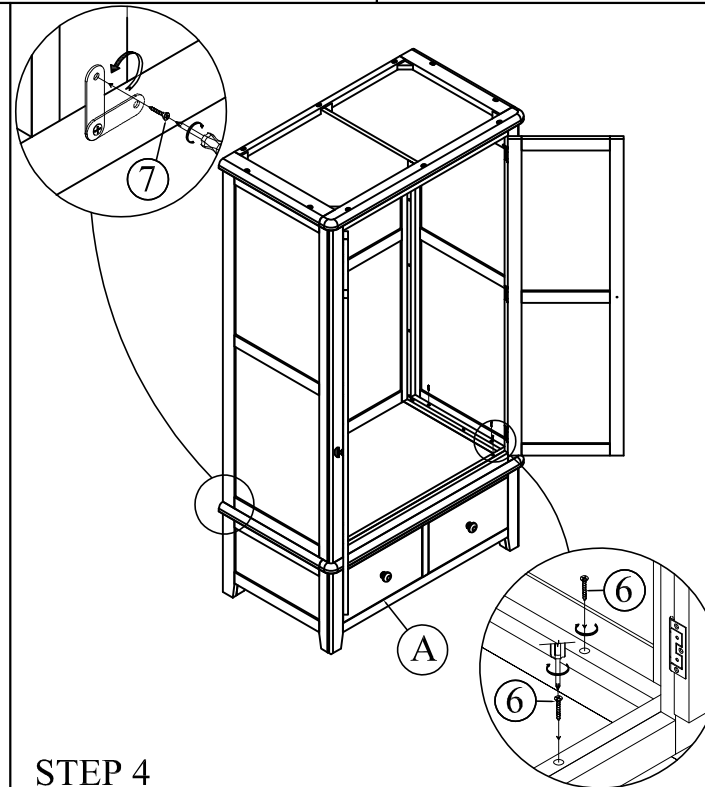
STEP 1



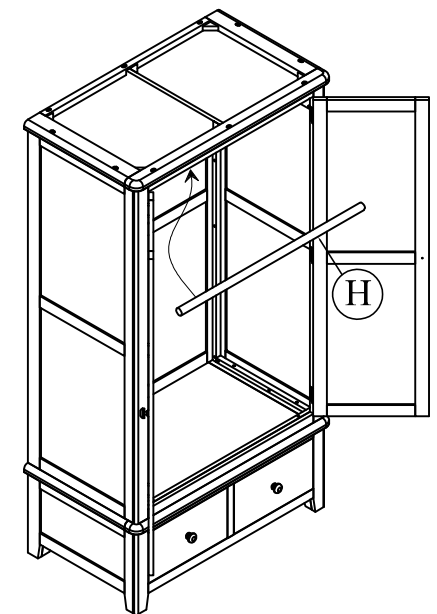
STEP 2



STEP 3



STEP 4



STEP 5

FINAL