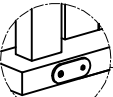
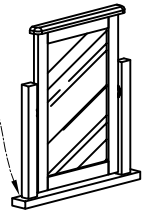
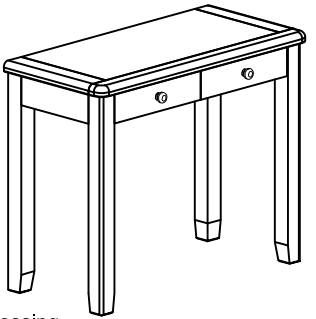

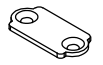


ASSEMBLY INSTRUCTION SINGLE VANITY MIRROR

No	Name of Component	Q.ty
(A)	  <p>Fix Connecting Bracket from Back See from back</p> <p>Mirror</p>	1
(B)	 <p>Dressing</p>	1
No	Name of Hardware	Q.ty
(1)	 <p>Screw M3 x 15</p>	4
(2)	 <p>Bracket</p>	2

