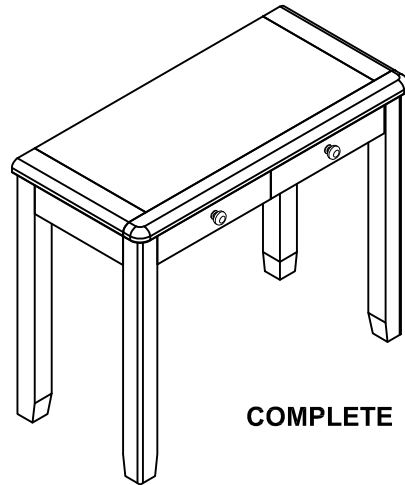
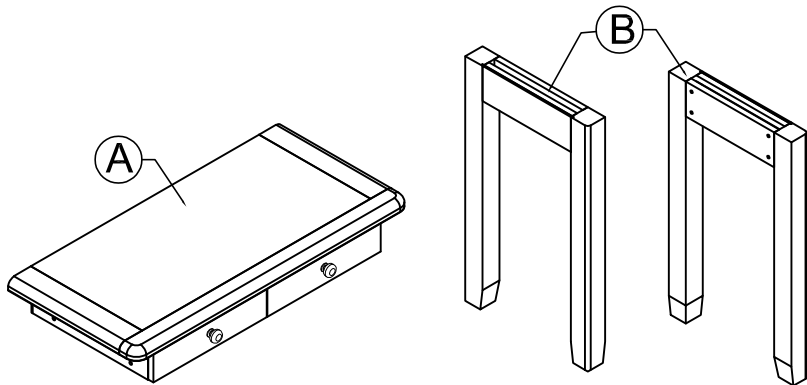


ASSEMBLY INSTRUCTION

DRESSING TABLE / DESK WITH 2 DRAWERS

PART LIST					
No	Description	QTY	No	Description	QTY
A	CABINET	1	B	SIDE	2



HARDWARE LIST					
No	Description	QTY	No	Description	QTY
1	Bolt M6x40	8	3	Lock Washer M6	8
2	Flat Washer M6/M19	8	4	Allen Key - 4	1

