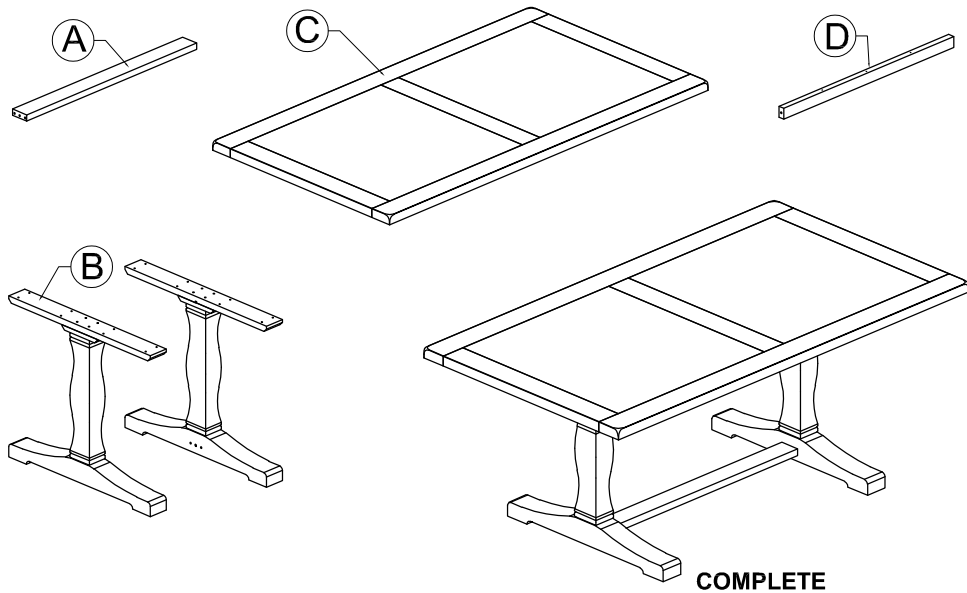


ASSEMBLY INSTRUCTION

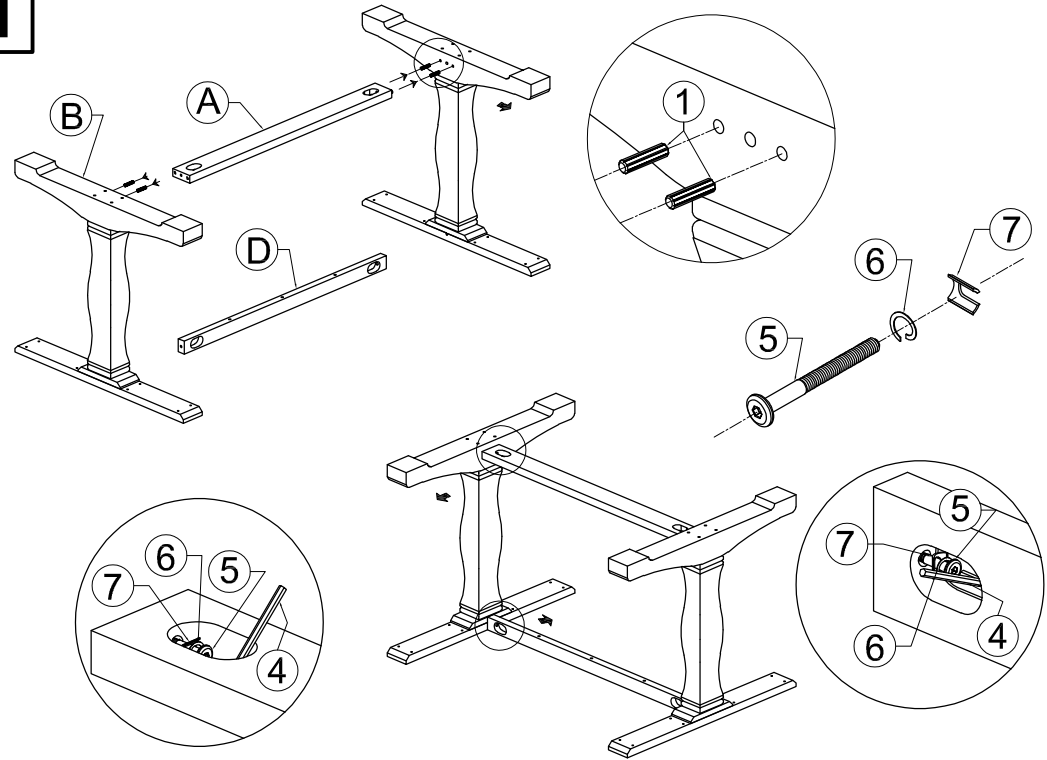
1.8M REFECTORY DINING TABLE

PART LIST

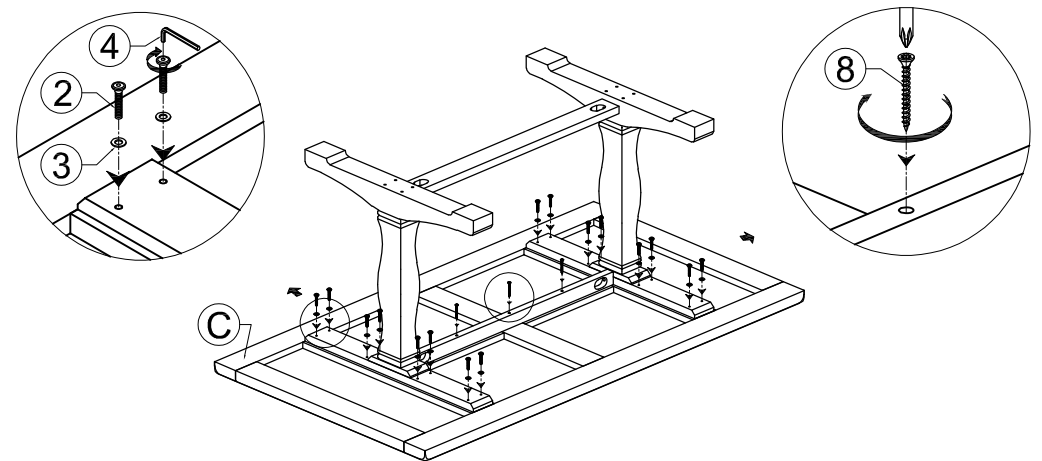
No	Description	QTY	No	Description	QTY
A	LEG CONECTOR	1	C	TABLE TOP	1
B	LEG	2	D	TOP CONECTOR	1



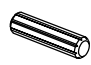





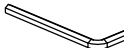

1



2



HARDWARE LIST

No	Description	QTY	No	Description	QTY
1	Dowel - Ø10x30 	4	5	Bolt M8x50 	4
2	Bolt M6x40 	16	6	Lock Washer M8 	4
3	Flat Washer M6/M14 	16	7	Half Moon Washer M8 	4
4	Allen Key - 4 	1	8	Screw M4x40 	3