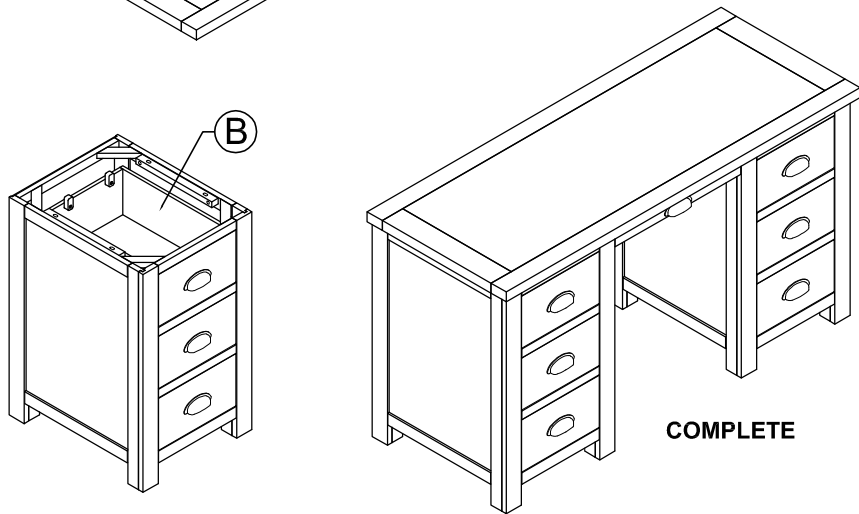
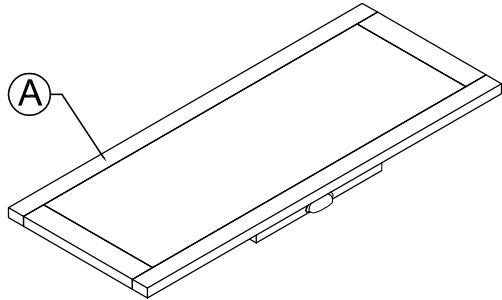


ASSEMBLY INSTRUCTION

TWIN PEDESTAL DESK



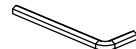
PART LIST

| No | Description | QTY | No | Description | QTY |
|----------|-------------|-----|----|-------------|-----|
| A | TOP | 1 | | | |
| B | CABINET | 2 | | | |

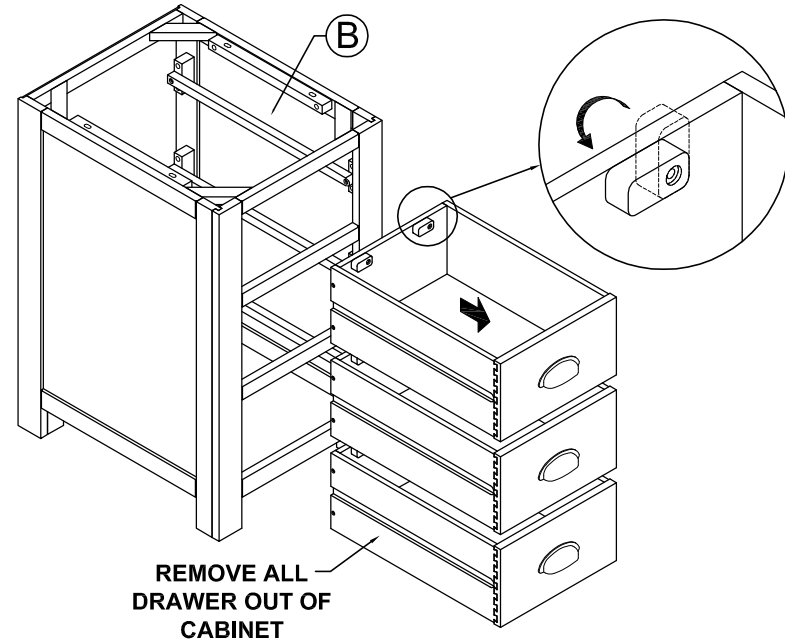


COMPLETE

HARDWARE LIST

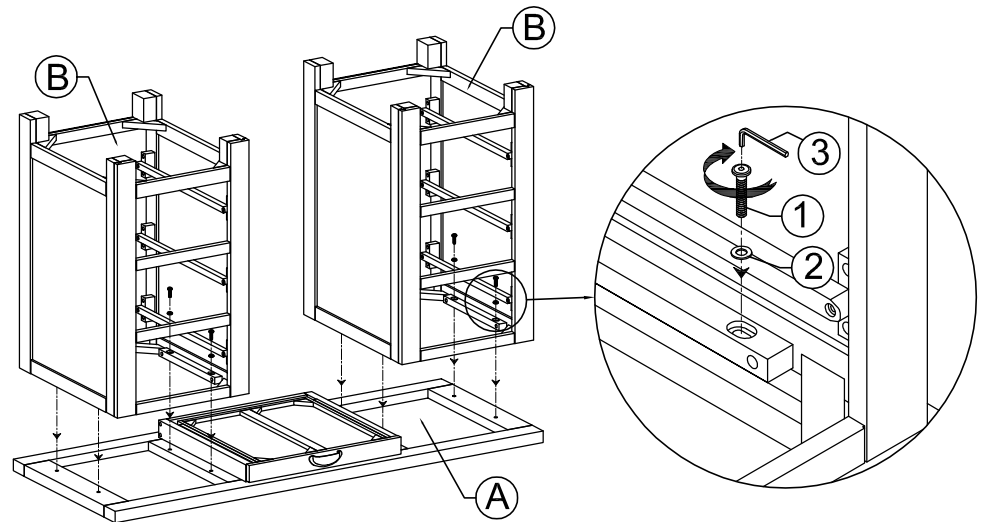
| No | Description | QTY | No | Description | QTY |
|----------|--|-----|----|-------------|-----|
| 1 | Bolt M6x30  | 8 | | | |
| 2 | Flat Washer M6/M14  | 8 | | | |
| 3 | Allen Key - 4  | 1 | | | |

1



REMOVE ALL
DRAWER OUT OF
CABINET

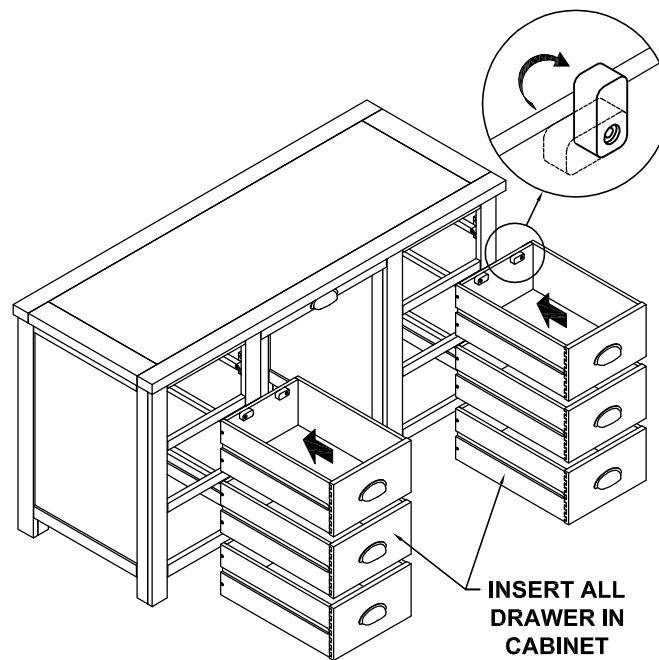
2



ASSEMBLY INSTRUCTION

TWIN PEDESTAL DESK

3



4

