





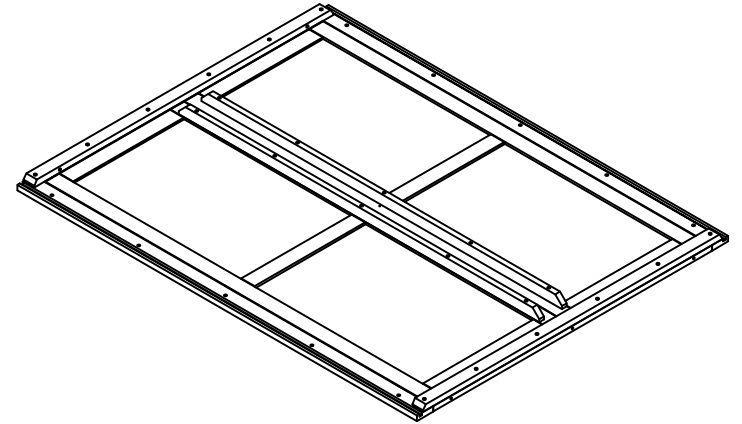
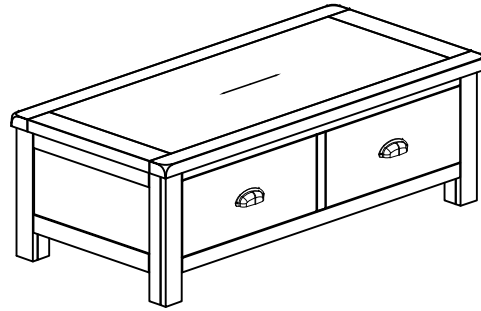


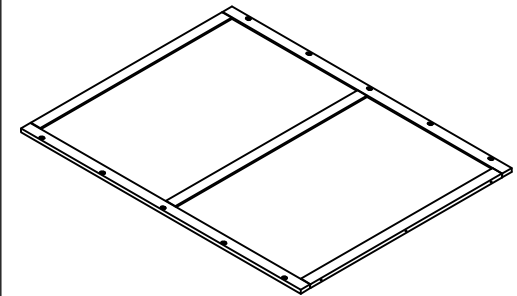
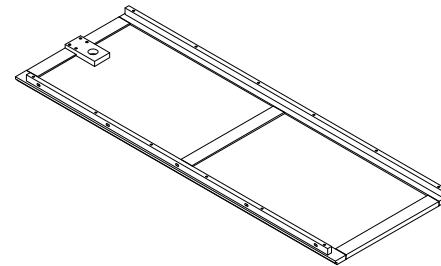
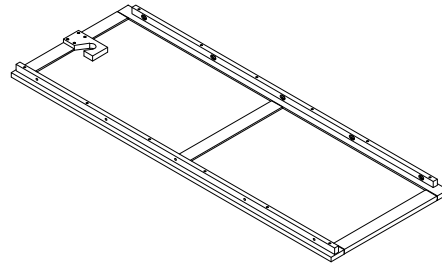
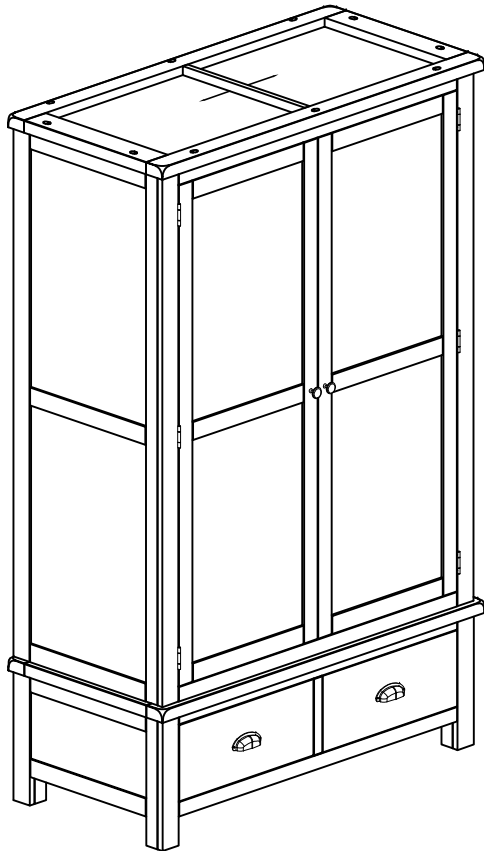
ASSEMBLY INSTRUCTION (DOUBLE ROBE WITH 2 DRAWERS)

No	LIST OF HARDWARE	FIG	Q.TY(pcs)
①	Bolt M6x30		30
②	Flat Washers (M6x14)		30
③	Screw M4x30		2
④	Screw M3x15		2
⑤	Handle with bolt		2 (set)
⑥	Allen Key		1



Ⓐ - BASE 1x

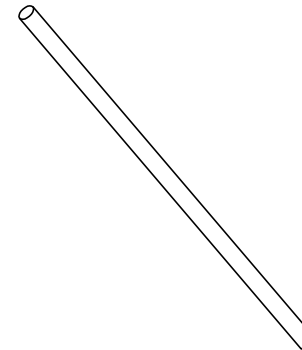
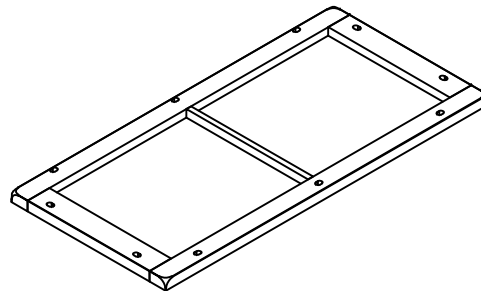
Ⓑ FRONT FRAME - DOOR 1x



Ⓒ RIGHT SIDE 1x

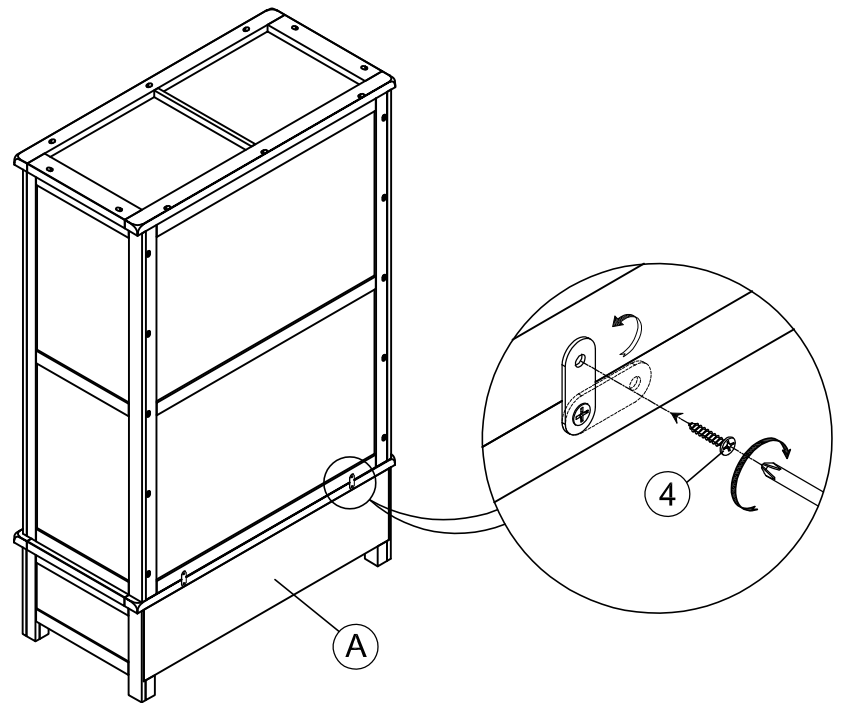
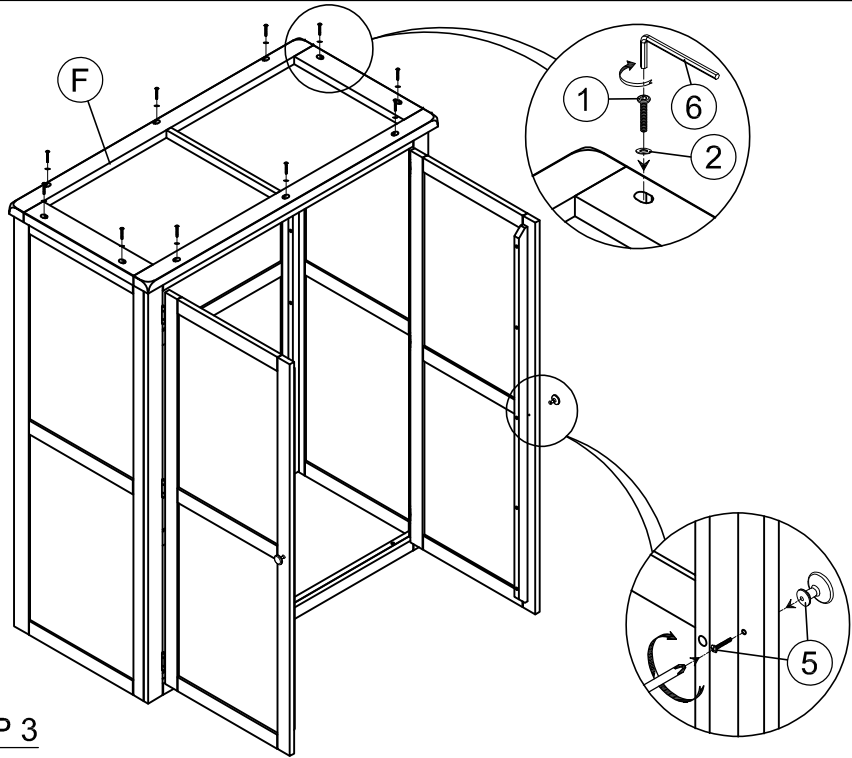
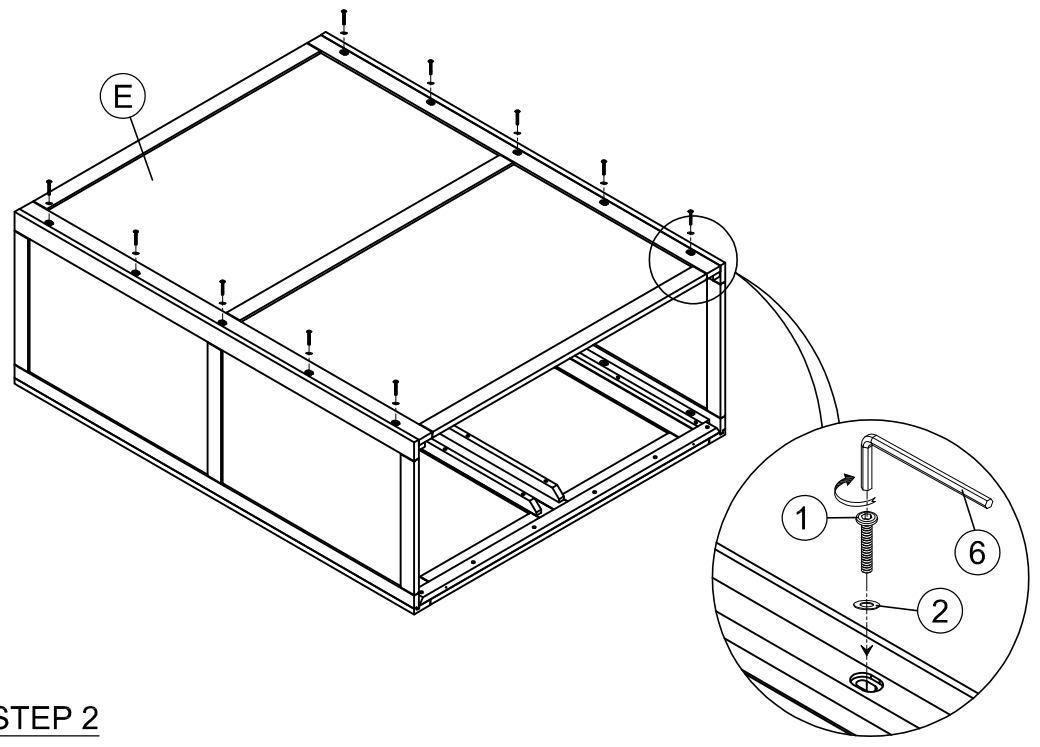
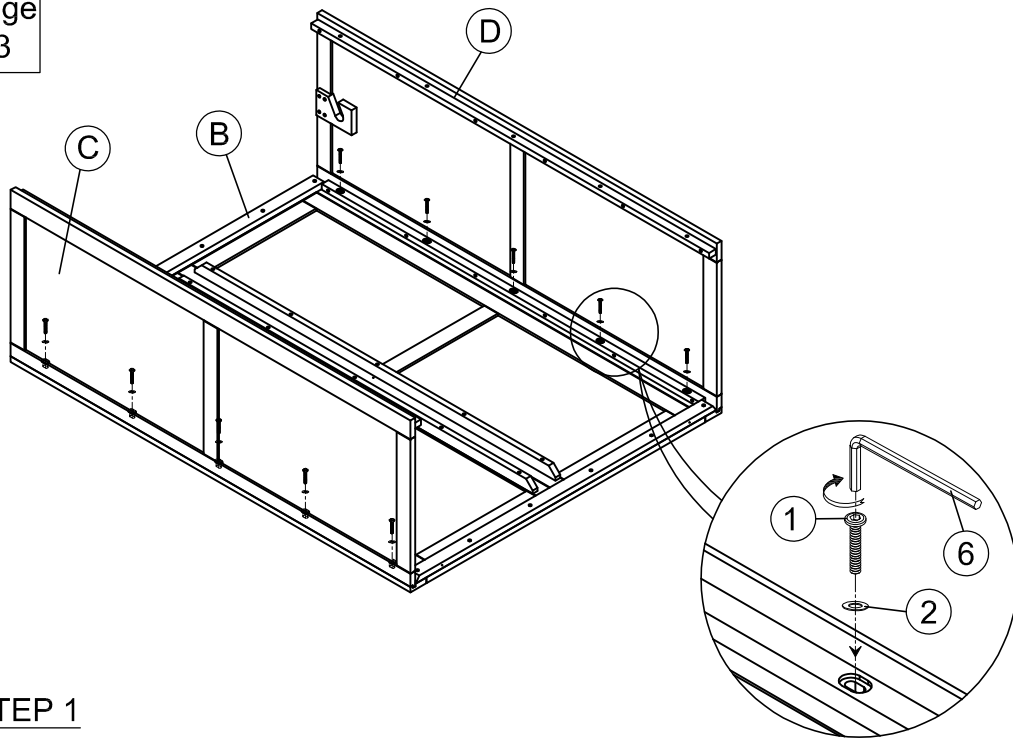
Ⓓ LEFT SIDE 1x

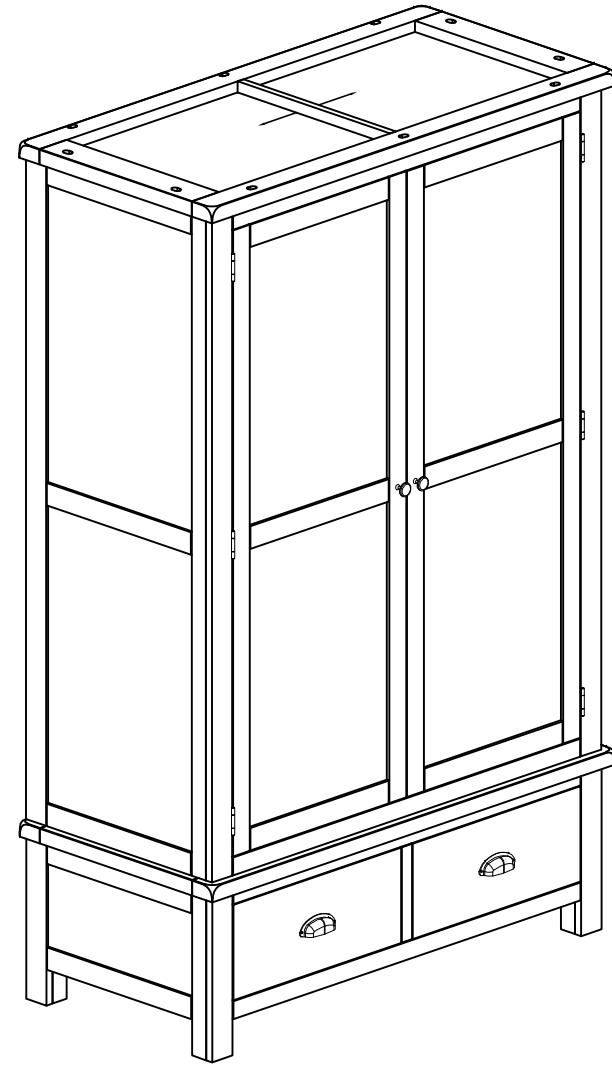
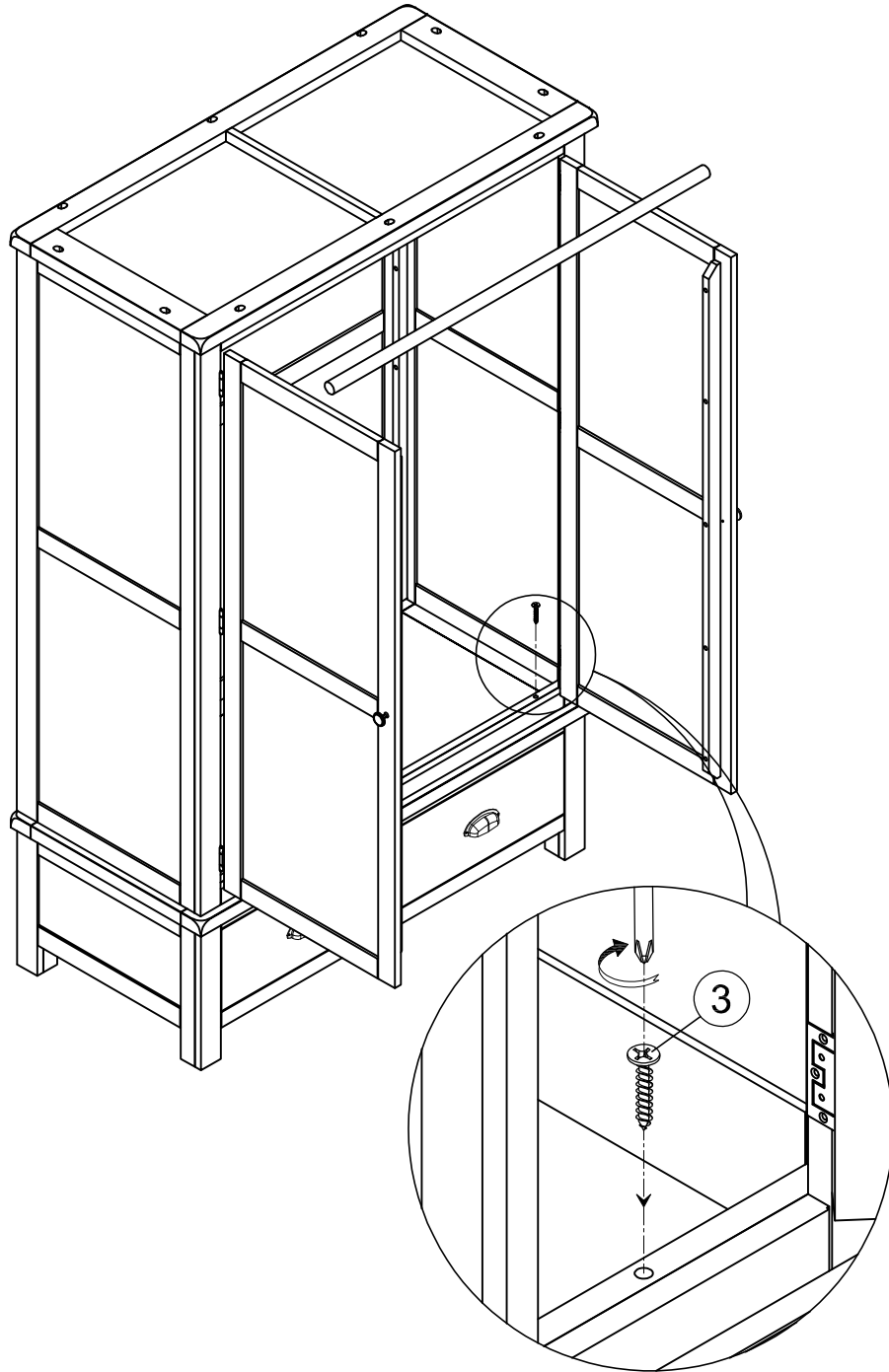
Ⓔ BACK FRAME 1x



Ⓕ TOP FRAME 1x

Ⓖ HANGING RAIL 1x





FINAL