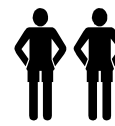
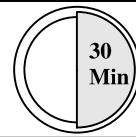
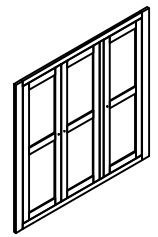


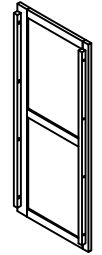
Product Assembly : Triple Larder Cupboard
AGH - KC03LR / V3P



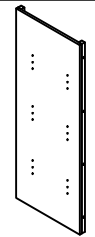
This assembly requires two people.



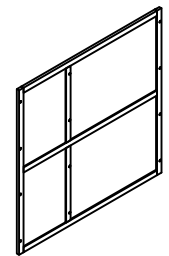
A : Door Frame x 01



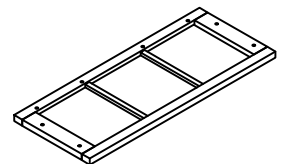
B : Side Panel x 02



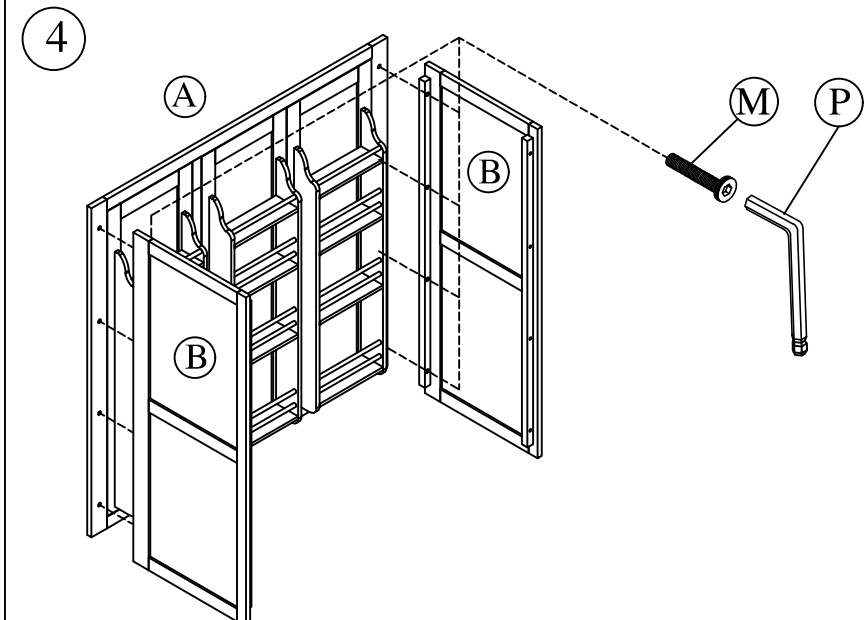
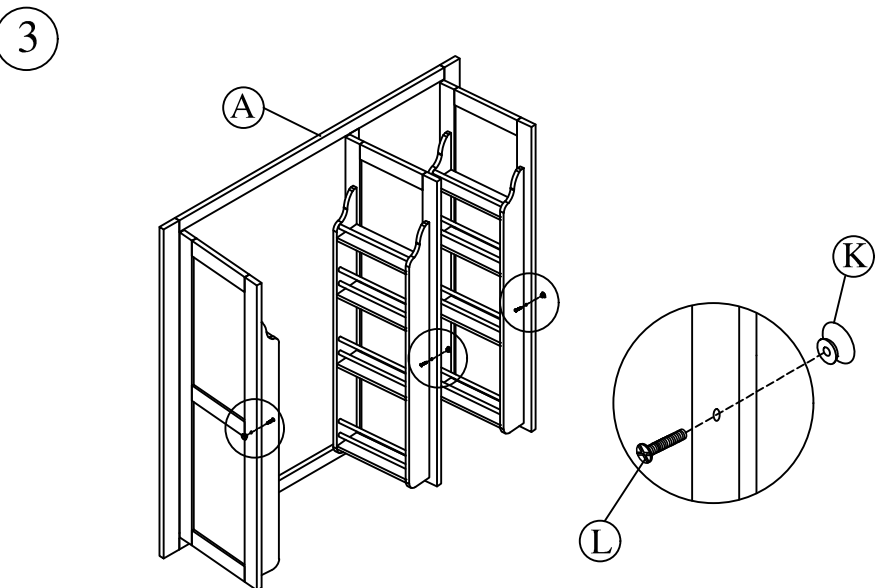
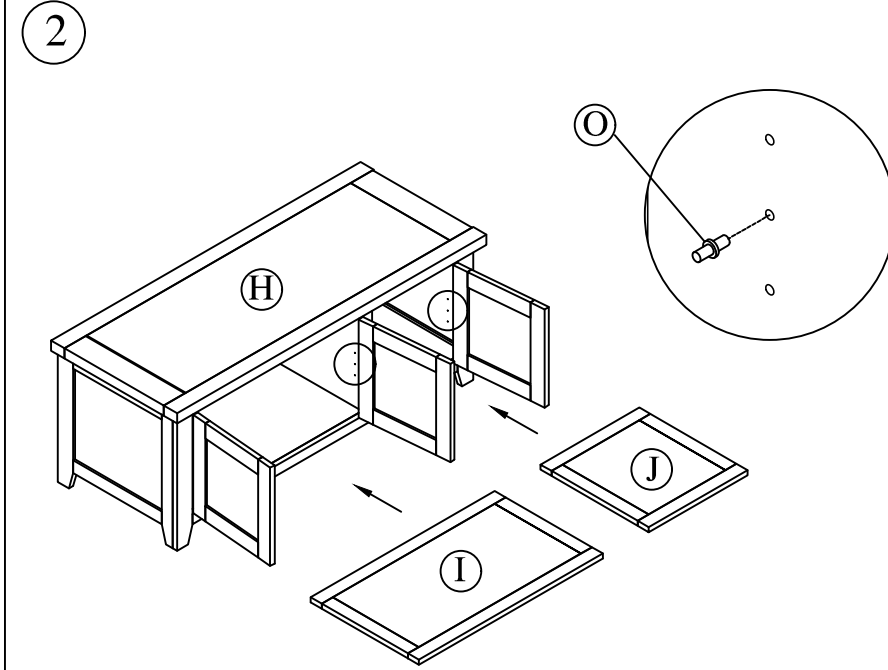
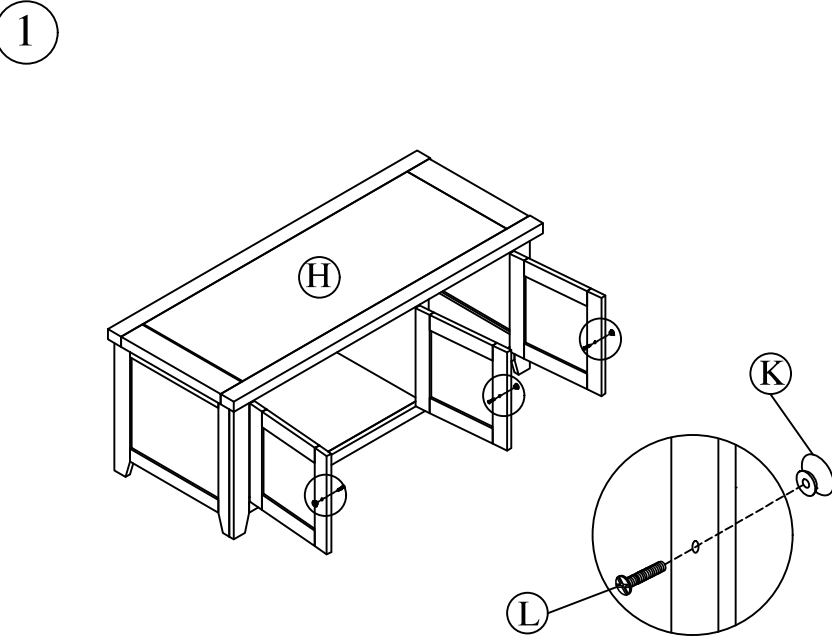
C : Centre partition panel x 1



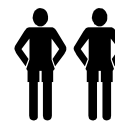
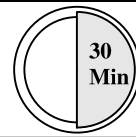
D : Back Frame x 01



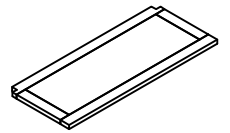
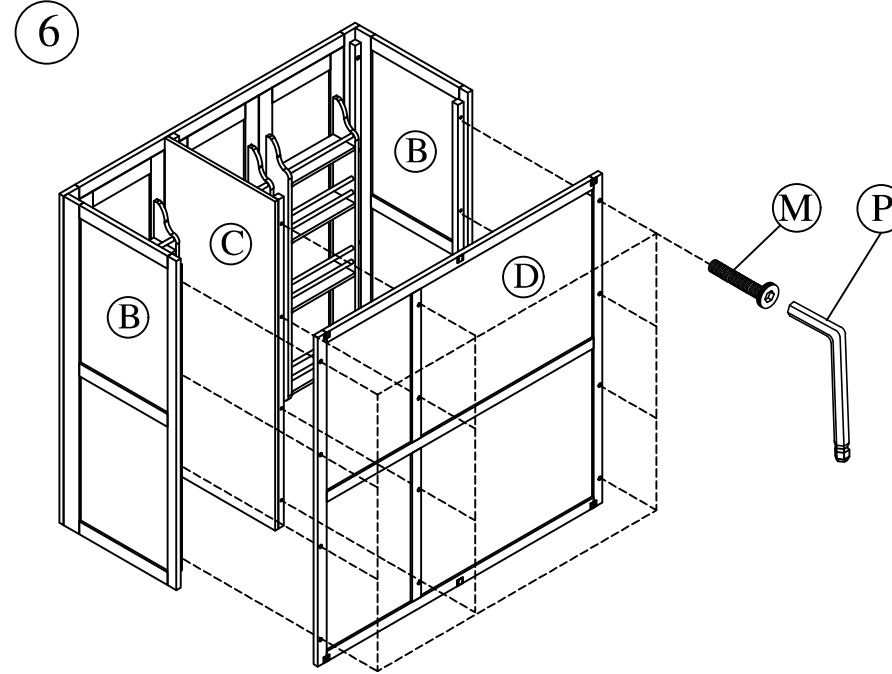
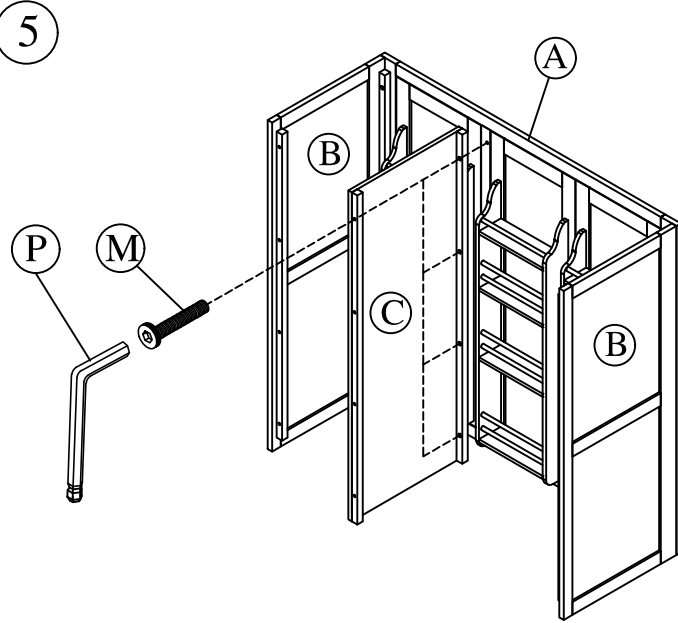
E : Top panel x 01



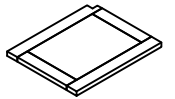
Product Assembly : Triple Larder Cupboard
AGH - KC03LR / V3P



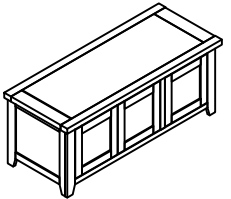
This assembly requires two people.



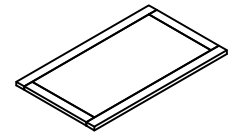
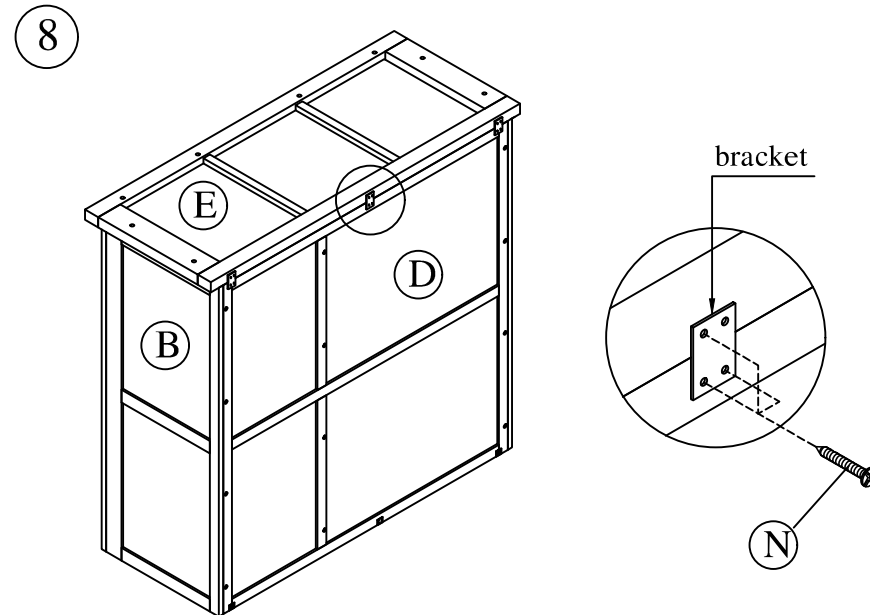
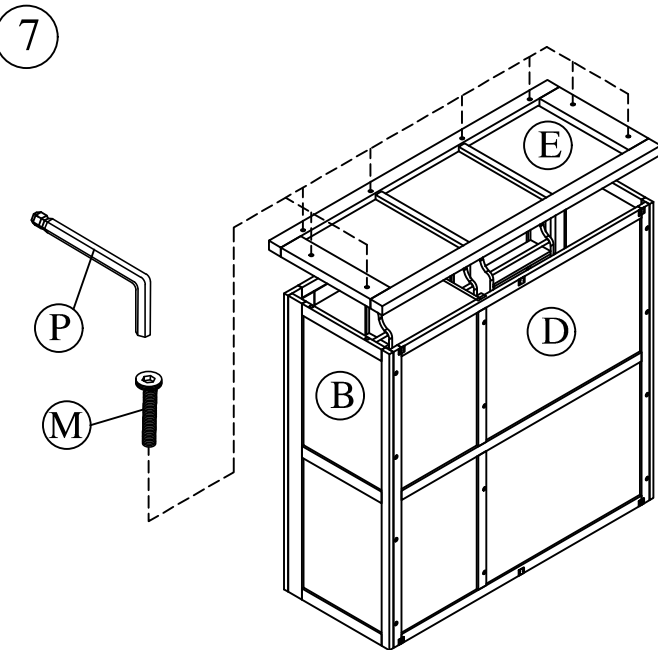
F : Shelf x 03



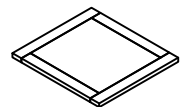
G : Shelf x 03



H : Carcase x 01

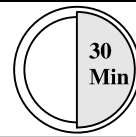


I : Shelf of carcase x 01



J : Shelf of carcase x 01

Product Assembly : Triple Larder Cupboard
AGH - KC03LR / V3P



This assembly requires two people.



K : Handle x 06



L : Thin Bolt 30mm & washer x 06



M : Bolts 1/4" x 30mm x 32



N : Screws 15 mm x 20

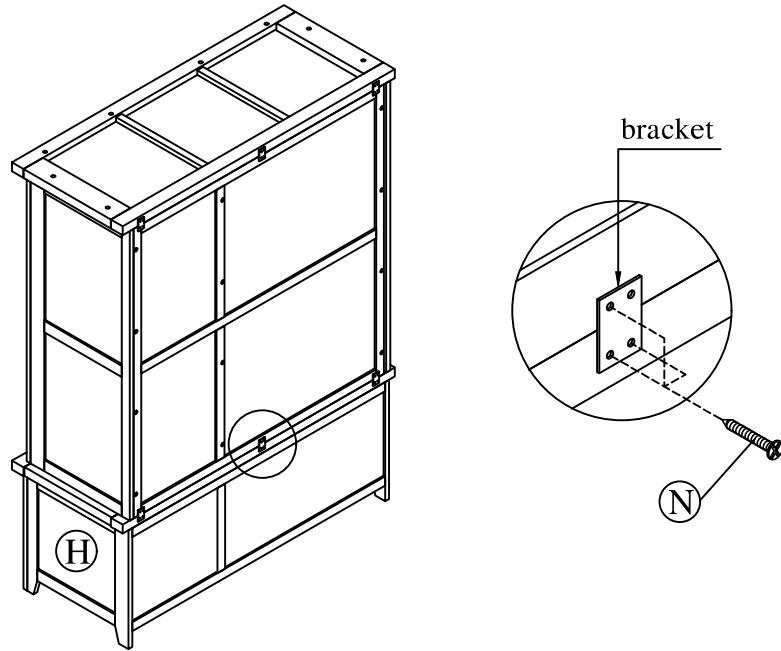


O : Shelf Pin x 32

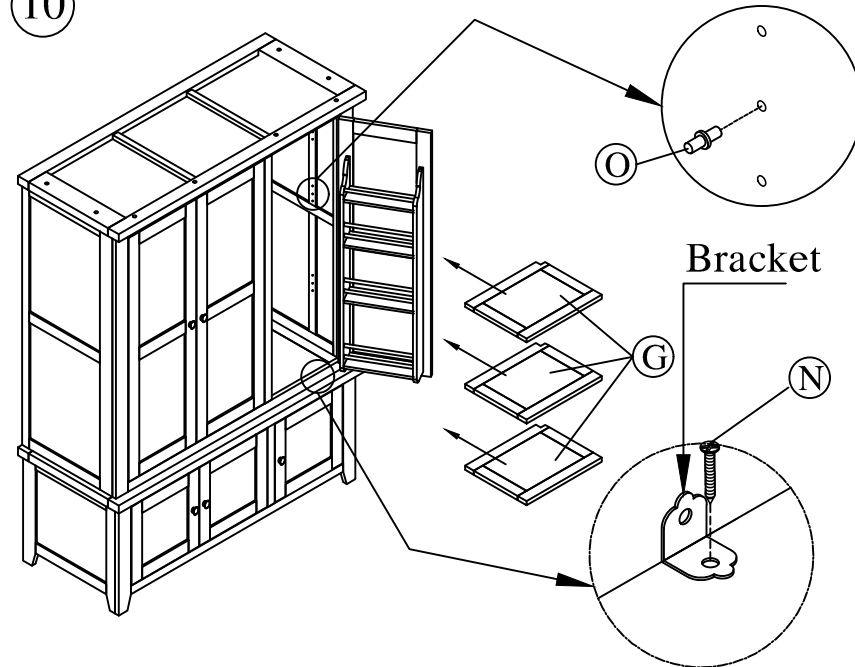


P : Allen Key x 02

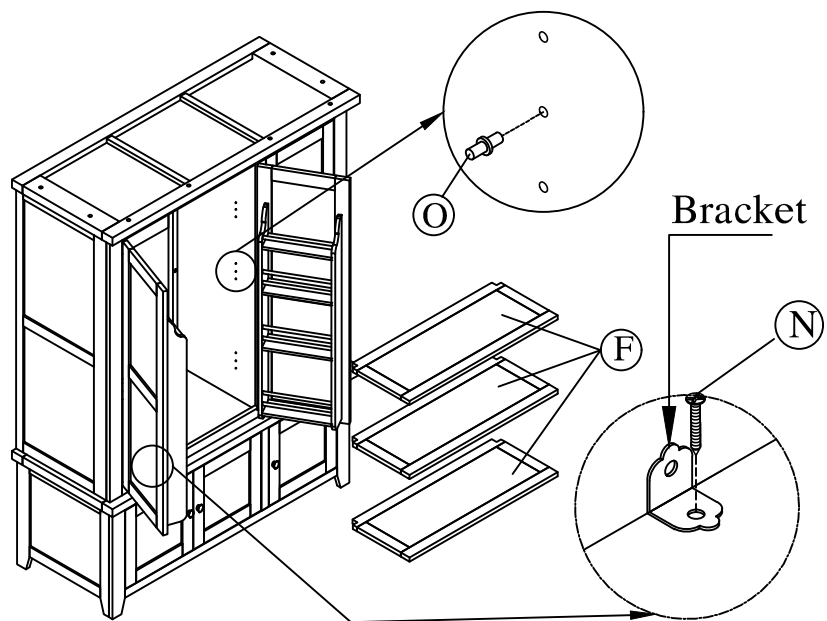
9



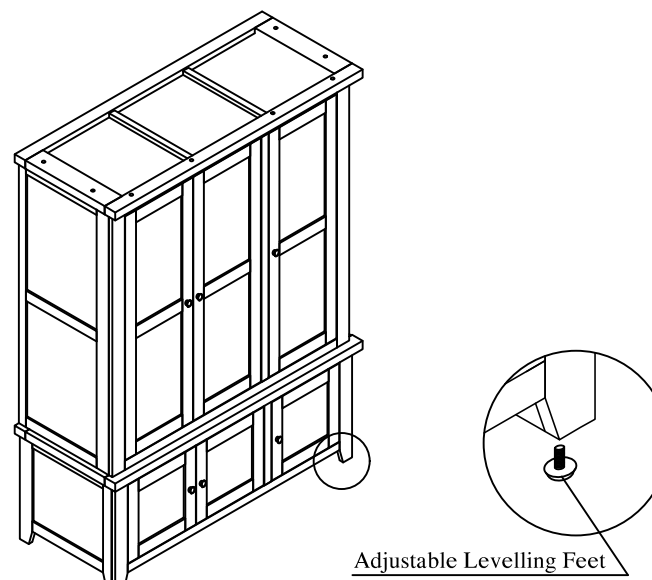
10

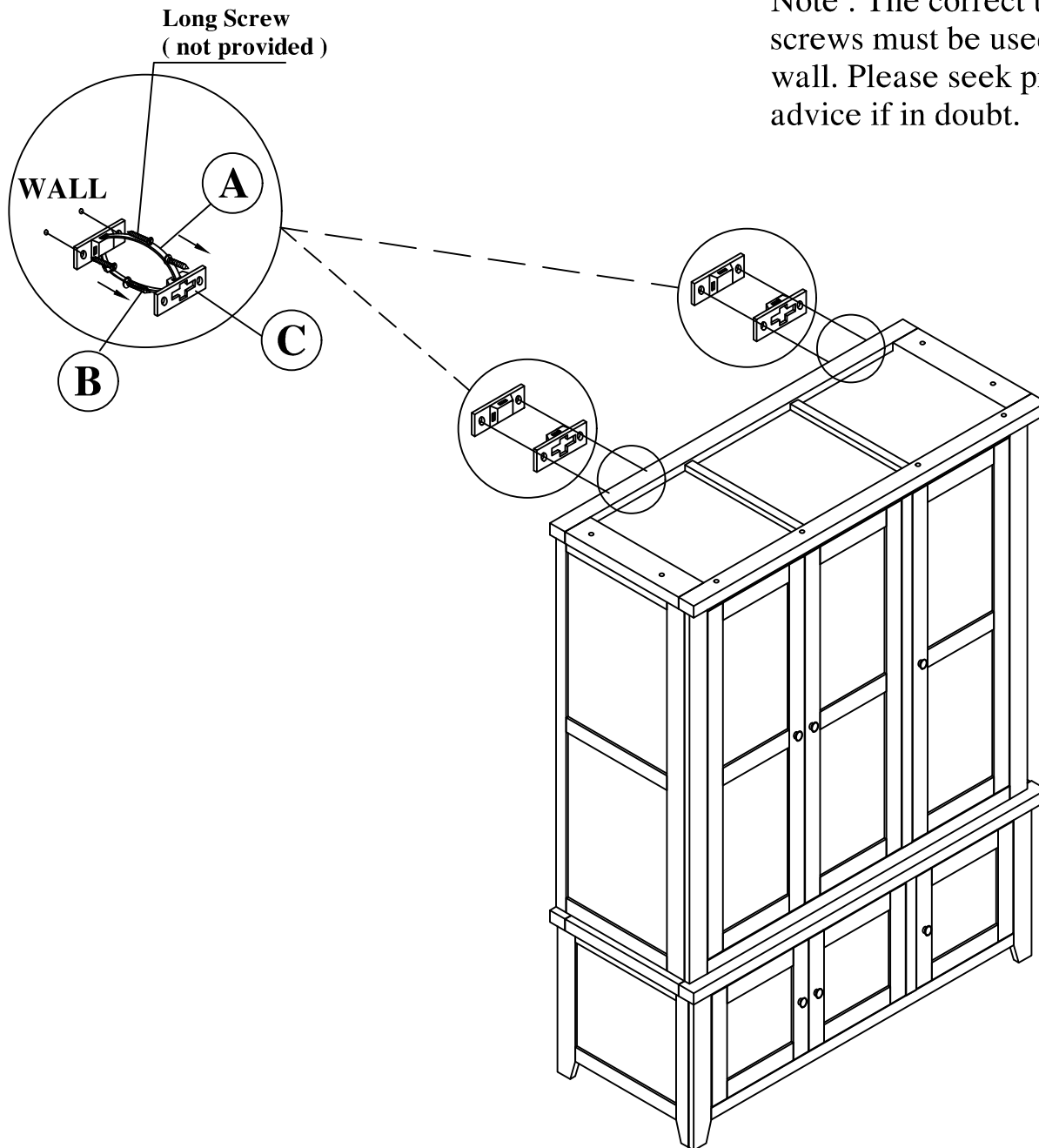


11



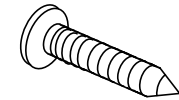
12





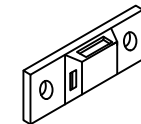
A : Wall Strap

x 02



B : Screw 20 mm

x 04



C : Mounting plate

x 04