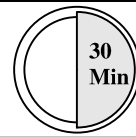
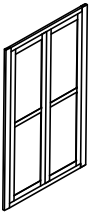


# Product Assembly : Double Shaker Cupboard

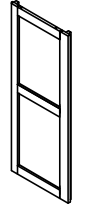
## AGH - RGLLR / V3P



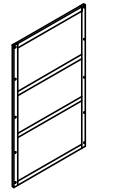
This assembly requires two people.



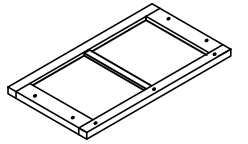
A : Door Frame x 01



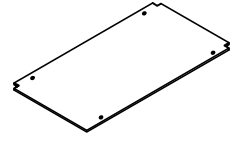
B : Side Frame x 02



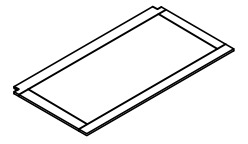
C : Back Frame x 01



D : Top Frame x 01

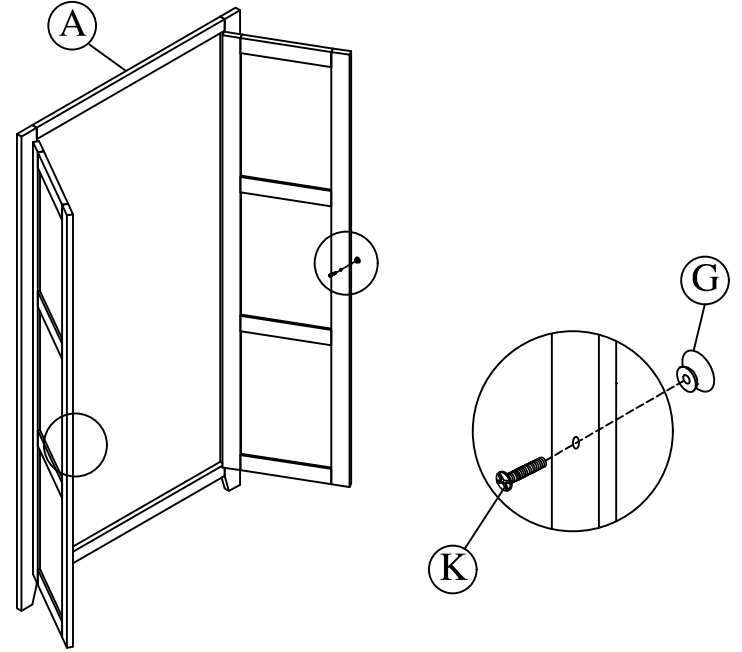


E : Bottom x 01

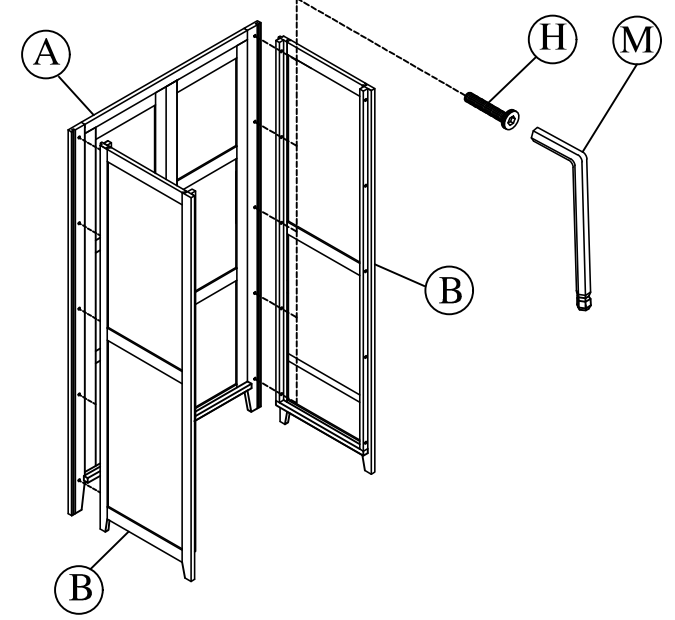


F : Shell x 05

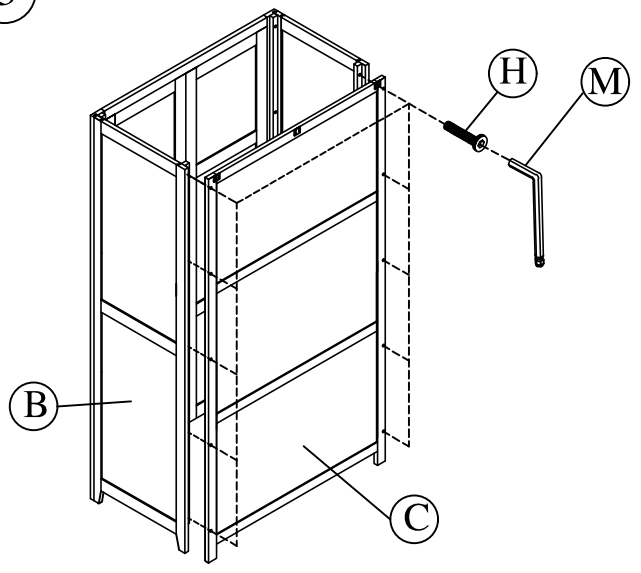
1



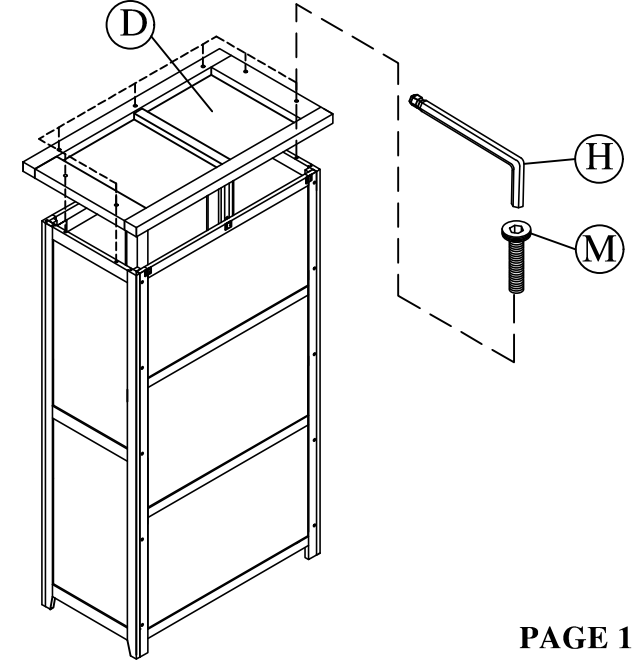
2



3

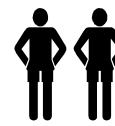
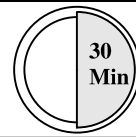


4

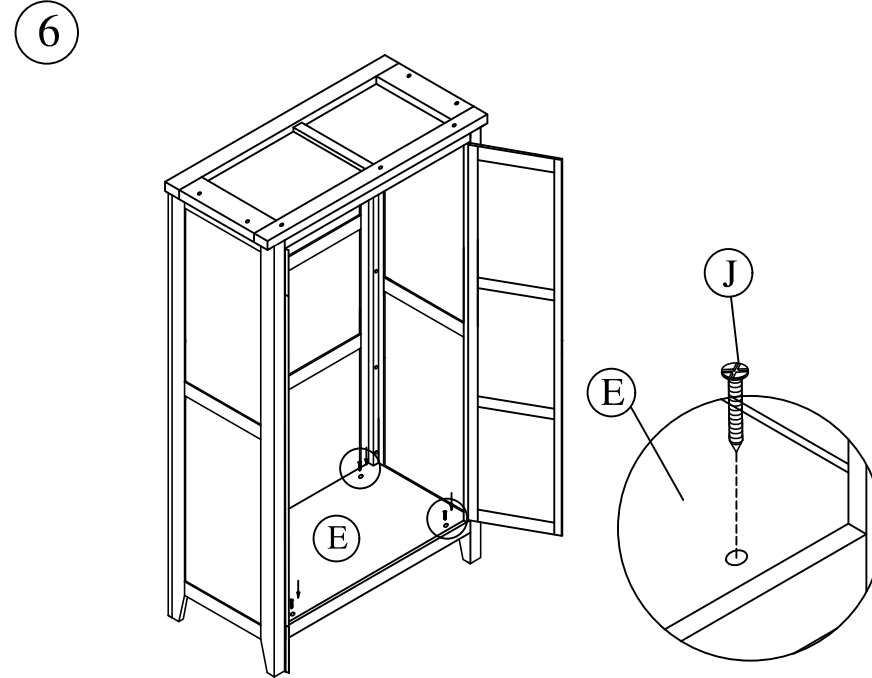
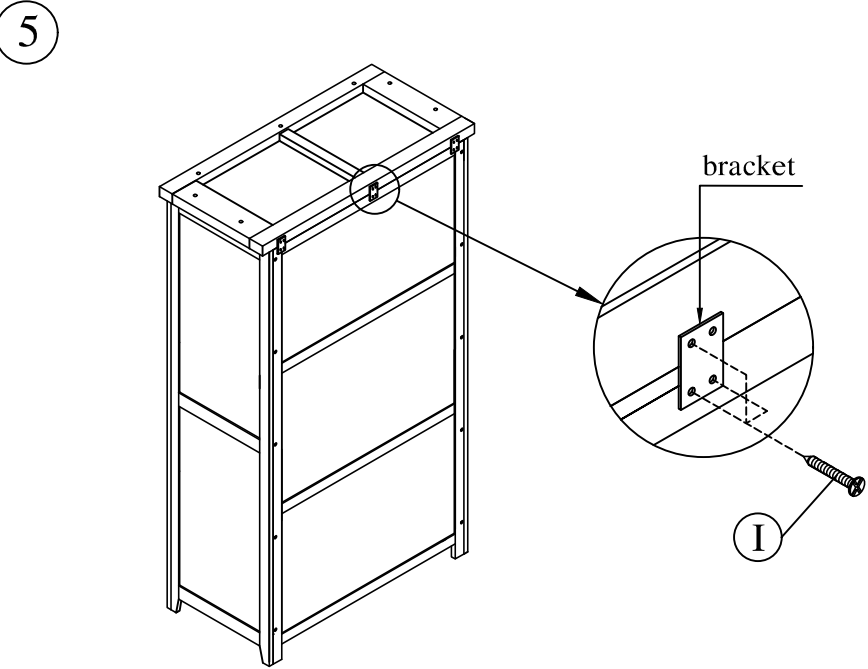



# Product Assembly : Double Shaker Cupboard


## AGH - RGLLR / V3P




This assembly requires two people.


G : Handle x 02



H : Bolts  
1/4" x 30mm x 27



I : Screws 15 mm x 09



J : Screws 25 mm x 04



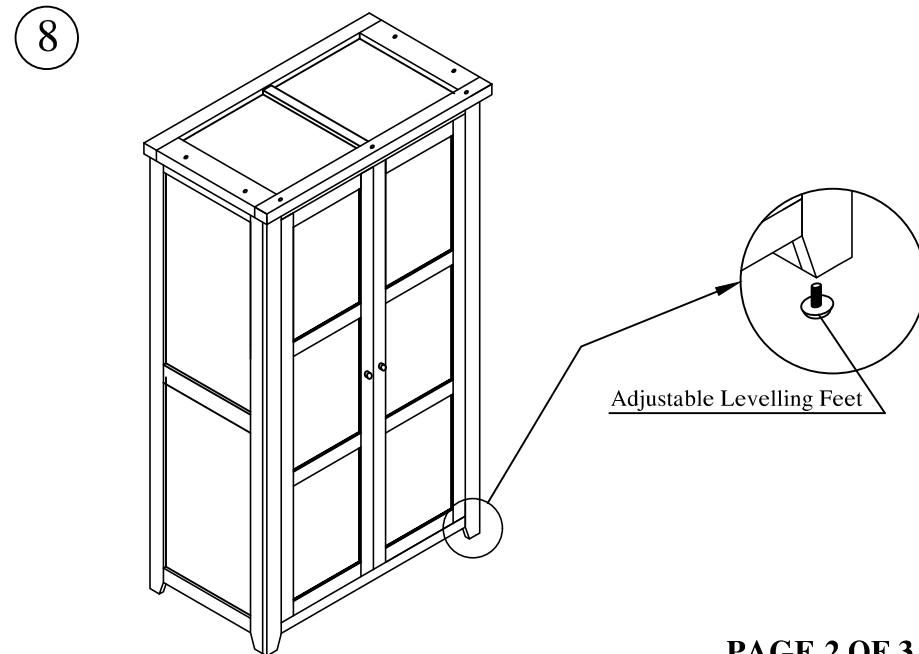
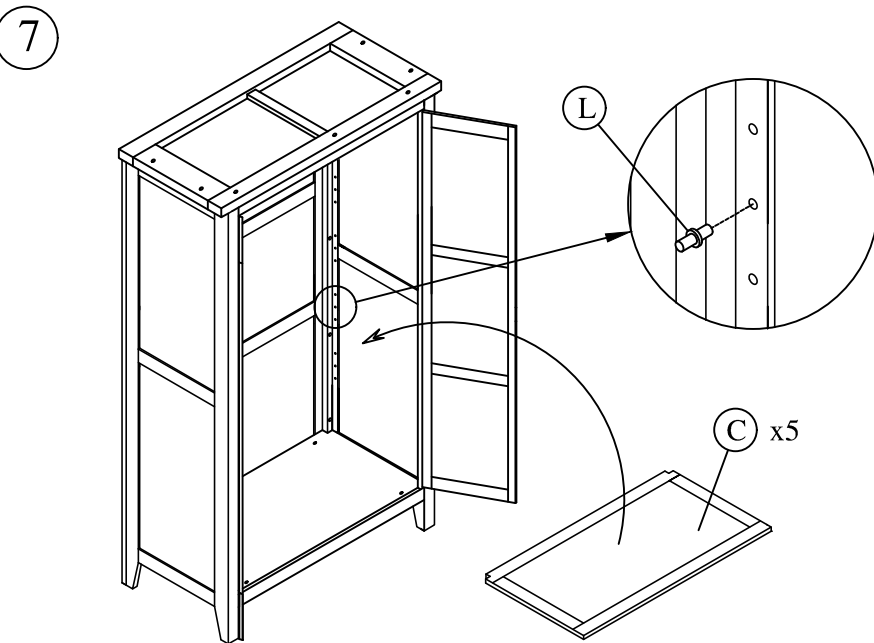
K : Thin Bolt 30mm  
& washer x 02

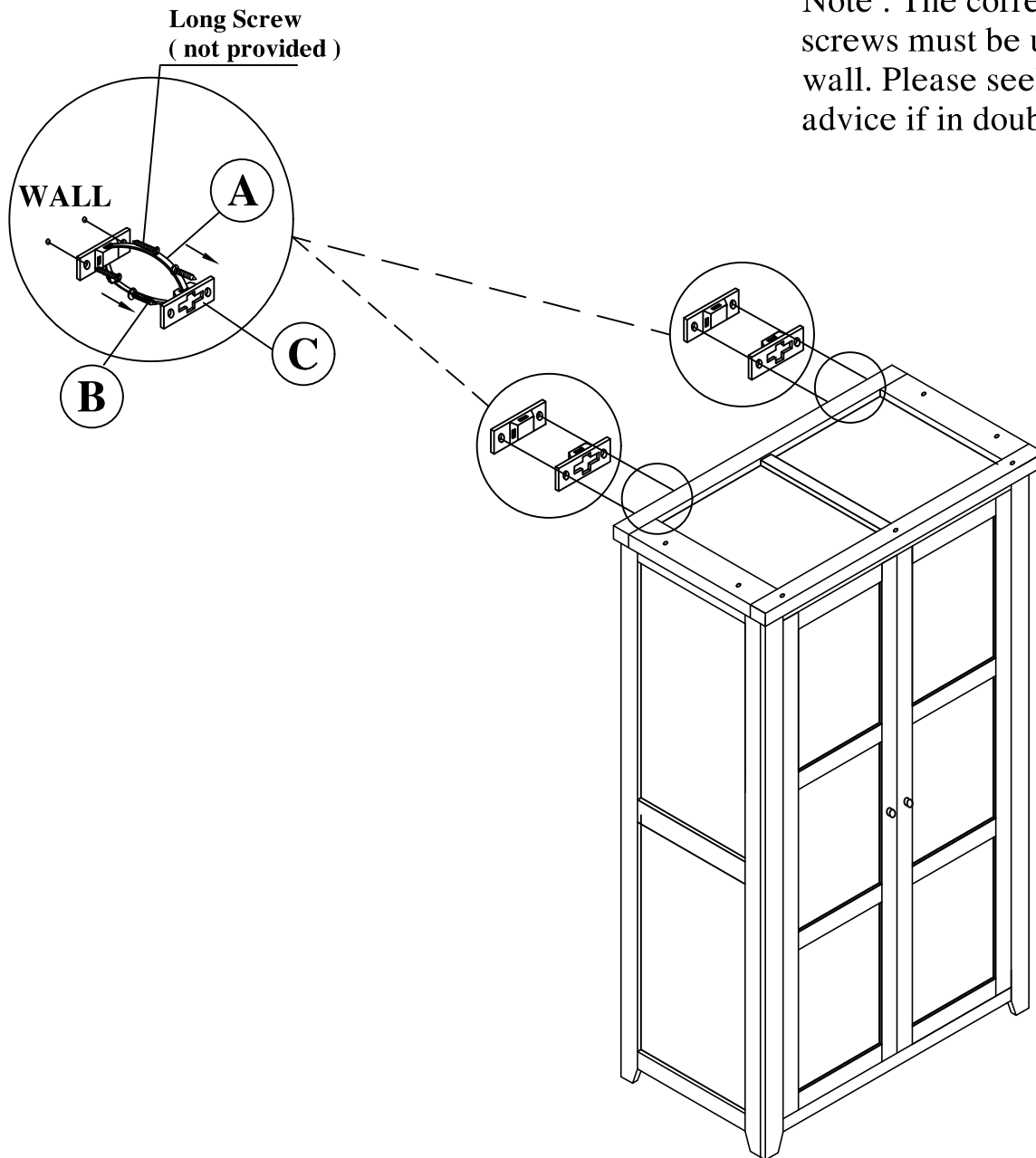


L : Shelf Pin x 20



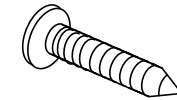
M : Allen Key x 02





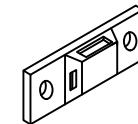
**A : Wall Strap**

**x 02**



**B : Screw 20 mm**

**x 04**



**C : Mounting plate**

**x 04**